



Features

- Single and multiple tube
- Variety of colors
- Coil tubing available
- Several sizes to accommodate Pneumadyne fittings

Performance Data

Temperature Range	Vacuum	Media	Diameter Tolerances
-40° to 160° F -28° to 71° C	to 28" Hg	Fluids Compatible w/ Materials	±.005

Polyurethane Tubing

Single Tubing

Pneumadyne offers Ether based Polyurethane (PU) Tubing. Material characteristics include minimal water absorption, high flexibility and opaque color pigments. The extrusion process and exclusive formulation produces a high quality tubing and eliminates surface stickiness.

Product Group	OD/ID	Package	*Duro	Working Pressure psi @ 75°F	**Standard Colors
PU-125-*	1/8 x 1/16	250' box	85A	135	
PU-125-*-R	1/8 x 1/16	500' reel	85A	135	0, 2, 3, 4, 5, 6,
PU-125-*-LR	1/8 x 1/16	1000' reel	85A	135	7, 8, 9, 11
PU-125-*-XR	1/8 x 1/16	2500' reel	85A	135	
PU-125F-*	1/8 x 1/16	250' box	95A	255	0, 2, 3, 4, 5, 6, 7
PU-156-*	5/32 x 5/64	100' box	85A	155	0, 2, 3, 4,
PU-156-*-R	5/32 x 5/64	500' reel	85A	155	5, 6, 7
PU-156-*-LR	5/32 x 5/64	1000' reel	85A	155	
PU-156F-*	5/32 x 3/32	100' box	95A	210	0, 2, 3, 4, 5, 6, 7
PU-250R-*	1/4 x 1/8	100' bag	70A	60	0, 2, 14, 25, 26
PU-250-*	1/4 x 1/8	100' box	85A	145	0, 2, 3, 4, 5,
PU-250-*-R	1/4 x 1/8	500' reel	85A	145	6, 7, 8, 9
PU-250-*-LR	1/4 x 1/8	1000' reel	85A	145	
PU-250PB-*	1/4 x .170	100' bag	90A	115	0, 2, 3, 4, 6, 27
PU-250F-*	1/4 x 1/8	100' box	95A	265	0, 2, 3, 4, 5, 6, 7, 27
PU-312-*	5/16 x 3/16	100' bag	85A	110	0, 2, 4
PU-312-*-R	5/16 x 3/16	500' reel	85A	110	
PU-375R-*	3/8 x 1/4	100' bag	70A	50	3, 4
PU-375-*	3/8 x 1/4	100' bag	85A	100	0
PU-375-*-R	3/8 x 1/4	500' reel	85A	100	
PU-375PB-*	3/8 x .245	100' bag	90A	125	0, 2, 3, 4, 5, 6, 7, 8, 9, 14, 25, 26, 27, 28
PU-375F-*	3/8 x .245	100' bag	95A	170	0, 2, 3, 4, 5, 6, 8, 9, 27, 28
PU-468F-*	15/32 x 5/16	50' bag	95A	155	0, 2, 3, 4, 6, 9, 27
PU-562F-*	9/16 x 3/8	50' bag	95A	155	0, 2, 3, 4, 6, 9, 27, 28
PU-750F-*	3/4 x .467	150' reel	95A	175	0, 3, 4, 6, 27

** See **Product Number Diagram** for Color Code information

All dimensions and specifications are subject to change without notice

*Duro= Durometer
Working Pressure: 3 to 1 Safety Factor [defined](#)

Multi-Bore Tubing

Extruded Polyurethane

Multi-bore tubing is two or more tubes that are extruded as a single piece. The tubes are joined with a tough connecting web. This tubing is ideal for applications that encounter severe or constant flexing which might separate the bond on MCR tubing assemblies. A small rib runs the length of one of the tubes for easy identification. All Multi-Bore tubing is mono-colored and is recommended for use with barbed fittings. Push-to-connect fittings are not recommended, the slightly flat surface resulting from stripping may affect the fittings sealing abilities.

Product Group	OD/ID	Package	Durometer	Working Pressure psi@ 75°F	Standard Colors*
PU2-125-*-C	1/8 X 1/16	100' box	90A	190	0,2
PU2-250-*-C	1/4 X 1/8	100' box	85A	150	
PU3-125-*-C	1/8 X 1/16	100' box	85A	125	0,2
PU3-250-*-L	1/4 X 1/8	50' box	85A	150	
PU4-125-*-C	1/8 X 1/16	100' box	85A	125	0
PU4-250-*-L	1/4 X 1/8	50' box	85A	150	0,2

* See **Product Number Diagram** for Color Code information
Working Pressure: 3 to 1 Safety Factor [defined](#)

Multi-Color Ribbon

(MCR)

85A Durometer

Bonded Polyurethane

Multiple Color Ribbon (MCR) color codes your tubing lines. Great for identification, tracing or trouble shooting, this tubing will withstand the rigors of flexing and rough handling. A unique heat bonding process allows you to easily hand separate the tubing for routing.

● See **Product Number Diagram** for Color Code information

Product Group	OD/ID	Pkg	Working Pressure psi @ 75°F	Standard Colors*
PUMC4-125-M		100' box		26, 28, 29, 25
PUMC4-125-2	1/8 X 1/16	100' box	135	2, 2, 2, 2
PUMC4-125-8		100' box		8, 8, 8, 8
PUMC4-125-0		100' box		0, 0, 0, 0
PUMC6-125-M		100' box		5, 4, 3, 6, 7, 11
PUMC6-125-2	1/8 X 1/16	100' box	135	2, 2, 2, 2, 2, 2
PUMC6-125-0		100' box		0, 0, 0, 0, 0, 0
PUMC8-125-M		100' box		9, 8, 32, 27, 26, 28, 29, 25
PUMC8-125-2	1/8 X 1/16	100' box	135	2, 2, 2, 2
PUMC8-125-0		100' box		0, 0, 0, 0
PUMC4-250-M		100' box		26, 28, 29, 25
PUMC4-250-2	1/4 X 1/8	100' box	145	2, 2, 2, 2
PUMC4-250-0		100' box		0, 0, 0, 0
PUMC6-250-M		100' box		5, 4, 3, 6, 7, 11
PUMC6-250-2	1/4 X 1/8	100' box	145	2, 2, 2, 2, 2, 2
PUMC6-250-0		100' box		0, 0, 0, 0, 0, 0
PUMC8-250-M	1/4 X 1/8	100' box	145	9, 8, 32, 27, 26, 28, 29, 25

* See **Product Number Diagram** for Color Code information
Working Pressure: 3 to 1 Safety Factor [defined](#)

Product Group	OD/ID/Material Length	Package	Durometer	Working Pressure psi @ 75°F	Standard Colors*
PUC-125-*	1/8 X 1/16 x 10'	1	85A	115	0, 2, 4, 27
PUC-250-*	1/4 X 1/8 X 10'	1	85A	125	0, 2, 4, 5, 6, 8
○○					
PUC2-125-*	1/8 X 1/16 x 7'	1	90A	160	2
PUC2-250-*	1/4 X 1/8 X 10'	1	85A	130	0, 2

* See **Product Number Diagram** below for Color Code information
Working Pressure: 3 to 1 Safety Factor [defined](#)

Polyurethane Coils

Polyurethane has outstanding memory and flexibility which make it the ideal material for processing into self-storing coiled tubing. These coils are extraordinarily tough and resistant to abrasion, overstretching and kink damage. Pneumadyne offers coils in every size and configuration of polyurethane in single, multi-tube and even jacketed bundles (contact factory for styles not listed).



Polyurethane coils are extraordinarily tough and resistant to abrasion, overstretching and kink damage



Multiple Color Ribbon (MCR) is great for identification, tracing or trouble shooting

Product Number Diagram Tubing

PU 6- 250- 8- L

Tubing Material

- PU= Single Polyurethane
- PU#= Multi-Bore Polyurethane
- PUMC= Multi-Color Polyurethane
- PUC= Polyurethane Recoil

Package Size

- C= 100 Ft
- L= 50 Ft
- R= 500 Ft
- LR= 1000 Ft
- XR= 2500 Ft

Color Code Opaque

- M= Multi-Color
- 0= Natural
- 2= Black
- 3= Red
- 4= Blue
- 5= Green
- 6= Yellow
- 7= Orange
- 8= Gray
- 9= White
- 11= Purple
- 14= Light Gray

Configuration

- 2= two channels
- 4= four channels
- 6= six channels
- 8= eight channels

Tube Size (85A)

- 125= 1/8 x 1/16
- 156= 5/32 x 5/64
- 250= 1/4 x 1/8
- 312= 5/16 x 3/16
- 375= 3/8 x 1/4
- 468= 15/32 x 5/16
- 562= 9/16 x 3/8
- 750= 3/4 x .467

85A durometer tubing is not indicated in the part number- however the following letters are used immediately after the tube size to indicate alternative tubing durometers. Tube ID will vary- refer to part number listing for tubing dimensions.

- F= 95A
- PB= 90A
- R= 70A

Transparent

- 25= Red
- 26= Green
- 27= Blue
- 28= Yellow
- 29= Orange
- 32= Purple

● Please use **Product Diagram** to interpret part numbers - (do not attempt to build part numbers) see product information for part number listing.

Features

- Compact and convenient
- Valved coupling
- Brass construction
- Durable
- Available in 303 Stainless Steel



Quick Disconnect Coupling

Available from Pneumadyne, one of the smallest automatic quick disconnect couplings with a shut-off valve on the market. Select from three (3) plug connector styles and four (4) socket connector styles that offer an easy method of connecting and disconnecting single tube lines. Connection of the plug and socket shifts the internal valve forward allowing free flow in both directions. The single shut-off socket connector closes the valve when disconnected. Quick disconnects are exceptionally small and suited for use in applications such as medical, dental, robotics and testing fixtures.

Performance Data

Temperature Range	Operating Pressure	Media	C _v	Flow Rate (scfm)	
				@ 50 psi	@ 125 psi
-40° to 250° F	0 to 230 psi	Fluids Compatible w/ Materials	.18	6.5	14

Porting Options

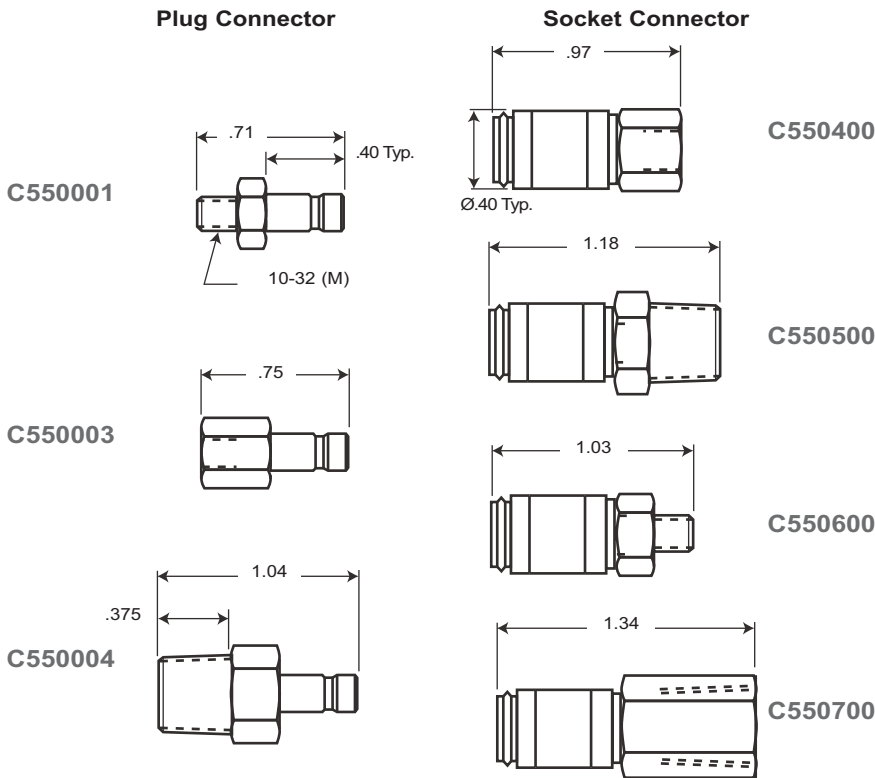
Plug Connectors	Socket Connectors
10-32 (M)	10-32 (M)
10-32 (F)	10-32 (F)
1/8 NPT (M)	1/8 NPT (F)
	1/8 NPT (M)

Materials

Brass, Stainless Steel, Buna-N Seals

Quick Disconnect

Product Information



Part Number	Description
C550400	Socket 10-32 (F)
C550500	Socket 1/8 NPT
C550600	Socket 10-32 (M)
C550700	Socket 1/8 NPT (F)
C550001	Plug 10-32 (M)
C550003	Plug 10-32 (F)
C550004	Plug 1/8 NPT

All styles available in 303 SS. See Ordering Information below

Ordering Information

- Use Product Information listing to select product.
- Optional Seals available upon request- contact factory.
- For 303 Stainless Steel add -303 suffix to the part number.

All dimensions and specifications are subject to change without notice

Quick disconnects are exceptionally small and suited for use in applications such as medical, dental, robotics and testing fixtures

Features

- Mounting versatility- inline connection or panel mount
- Time saving- allows disconnection while system is pressurized
- Optional dress plate for finished look
- Ideal for medical and dental applications



Micro Coupler

Micro couplers are used in systems where rapid and repeated connecting and disconnecting of fluid conductors is required. They are ideal for use on test equipment, patch systems, quick set-ups of machines, jigs and fixtures. Micro couplers offer an easy solution, without the use of tools, for the connection and disconnection of single tubing.

The **plug connector** has a specially designed electroless nickel plated brass body with a Buna-N O-ring retained opposite the barb. This quality O-ring ensures a leakproof seal when connected to a socket component. The plug connector body is secured within the plug connector nut by a c-clip enabling the barb to float and rotate thus accommodating the natural twist of the tubing and providing for easier installation.

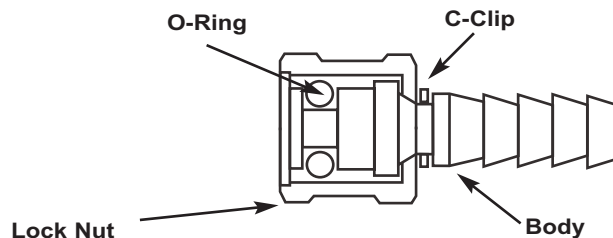
The compact **straight-thru socket connector** is used on systems where unrestricted flow is required. When coupled with the plug connector the overall length is only 5/8"- ideal for limited space applications.

Performance Data

Product	Temperature Range	Operating Pressure	Media	Cv	Flow Rate (scfm)	
					50 psi	125 psi
Straight-thru	-20° to 160° F -28° to 71° C	0 to 125 psi	Fluids Compatible w/ Materials	.15	4.8	10
Valved					4.2	9

The unique design of the **in-line socket connector with shut-off valve** ensures maximum flow and a reliable seal. When connected, flow is directed into a side port on the stem and out the output port. When disconnected a spring slides the stem forward thereby sealing the valve seat and stopping the flow. A Buna-N O-ring retained near the end of the valve stem ensures a reliable, leakproof seal.

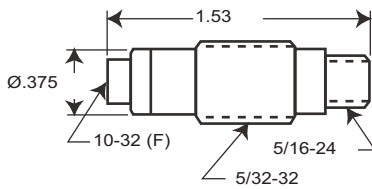
The **bulkhead socket connector** with shut-off valve provides the durability and convenience often required for use on test equipment. This miniature coupler (1.53 OAL) can be mounted on a control panel via the 15/32-32 thread, two (2) jam nuts and a lock washer are provided to secure the component in place.



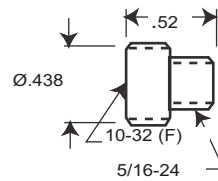
Protects O-ring from damage and contamination while disconnected.

Micro Coupler

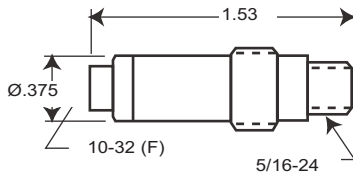
Socket Connectors



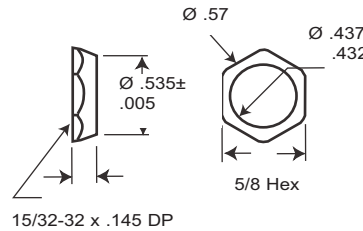
PMCBH-*
Valved Bulkhead Socket



PMCM-*
Straight-thru Socket

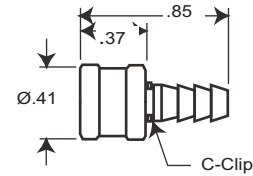


PMCIL-*
Valved Inline Socket

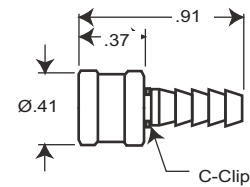


DP-22
DP-11

Plug Connectors



PMC-110



PMC-170

Product Information

Part Number	Description	Part Number	Description
Bulkhead Socket, valved		Inline Socket, straight-thru	
PMCBH-10/32	10-32 (F)	PMCM-10/32	10-32 (F)
PMCBH-062	062 barb valve assembly	PMCM-062	062 barb assembly
PMCBH-110	110 barb valve assembly	PMCM-110	110 barb assembly
PMCBH-170	170 barb valve assembly	PMCM-170	170 barb assembly
Inline Socket, valved		Plug Connector	
PMCIL-10/32	10-32 (F)	PMC-110	Plug: 110 barb
PMCIL-062	062 barb valve assembly	PMC-170	Plug: 170 barb
PMCIL-110	110 barb valve assembly		
PMCIL-170	170 barb valve assembly		
		Panel Mount Dress Plate	
		DP-11	Black Anodized
		DP-22	Electroless Nickel

Ordering Information

The micro coupler socket and plug connectors are sold separately and sockets are available with standard fitting options.

The electroless nickel plated brass barbed ends are assembled into the 10-32 (F) port of the micro coupler socket.

Materials

Plug Connector: Brass, Electroless Nickel Plated, Zinc Dichromate

O-rings: Buna-N; other materials available- contact factory

Socket Connector: Brass, Electroless Nickel Plated

Dress Plate: Aluminum, Electroless Nickel Plating, Black Anodized

Features

- One-piece design
- 1/4" & 5/32" push-in connectors
- Three body styles
- 4 to 12 stations (ports)
- Black anodized for corrosion resistance
- Threaded option for use with barb fittings



Static Bulkhead Connectors

Pneumadyne's new Bulkhead Connectors are a fast, convenient method of connecting multiple tubing lines in a control panel or on a machine. The one-piece design features 1/4 and 5/32 push-in connectors or 1/4-28 UNF threads and

Three body styles are offered to fit application requirements

accommodates four to 12 tubing lines. Port numbers are etched into both sides of the Bulkhead Connector to ease line installation and identification.

Three body styles are offered to fit application requirements. Choose from: Push-in, Push-in to Threaded and Threaded bodies. The 1/4 and 5/32 push-in ports feature acetal collets with metal grippers to ensure a lasting tubing connection. 1/4-28 UNF threads accommodate Pneumadyne's Pneu-Edge® Straight Connector barb fittings. These precision machined fittings feature a consistently sharp single-barb design for more permanent polyurethane tubing installation without the need for clamps. Several barb sizes are available to fit tubing requirements.

The Bulkhead Connectors are black anodized for corrosion and wear resistance.

Materials

Aluminum / Black Anodize, Buna-N, Brass, Acetal



A Buna-N o-ring provides a seal when mounted against a control panel or a machine



Our captured o-ring design provides a superior seal ensuring a leak resistant fitting

Product Information *Static Bulkhead Connector*

Push-in x Push-in

<i>Item</i>	<i>Stations</i>	<i>Connections</i>	
1-1/2" Body			
SB115-250-4	4	1/4 Push-in	1/4 Push-in
SB115-156-4	4	5/32 Push-in	5/32 Push-in
2" Body			
SB120-250-7	7	1/4 Push-in	1/4 Push-in
SB120-156-7	7	5/32 Push-in	5/32 Push-in
2-1/2" Body			
SB125-250-9	9	1/4 Push-in	1/4 Push-in
SB125-156-9	9	5/32 Push-in	5/32 Push-in
SB125-250-12	12	1/4 Push-in	1/4 Push-in
SB125-156-12	12	5/32 Push-in	5/32 Push-in

Push-in x Threaded

<i>Item</i>	<i>Stations</i>	<i>Connections</i>	
1-1/2" Body			
SB215-250-4	4	1/4 Push-in	1/4-28 UNF
SB215-156-4	4	5/32 Push-in	1/4-28 UNF
2" Body			
SB220-250-7	7	1/4 Push-in	1/4-28 UNF
SB220-156-7	7	5/32 Push-in	1/4-28 UNF
2-1/2" Body			
SB225-250-9	9	1/4 Push-in	1/4-28 UNF
SB225-156-9	9	5/32 Push-in	1/4-28 UNF
SB225-250-12	12	1/4 Push-in	1/4-28 UNF
SB225-156-12	12	5/32 Push-in	1/4-28 UNF

Threaded x Threaded

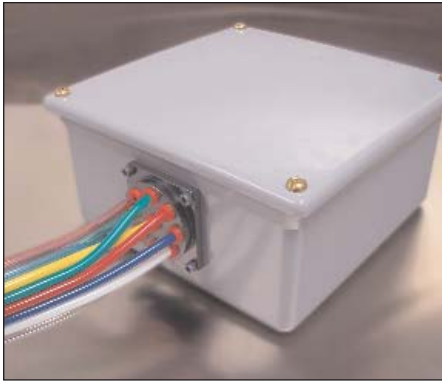
<i>Item</i>	<i>Stations</i>	<i>Connections</i>	
1-1/2" Body			
SB315-4	4	1/4-28 UNF	1/4-28 UNF
2" Body			
SB320-7	7	1/4-28 UNF	1/4-28 UNF
2-1/2" Body			
SB325-9	9	1/4-28 UNF	1/4-28 UNF
SB325-12	12	1/4-28 UNF	1/4-28 UNF

1/4-28 Fittings for use with Static Bulkhead Connectors

<i>Item</i>	<i>Thread</i>	<i>Tube ID</i>
SB10	1/4-28 UNF	1/16
SB20	1/4-28 UNF	5/64
SB25	1/4-28 UNF	3/32
SB30	1/4-28 UNF	1/8
SB40	1/4-28 UNF	0.170
SB50	1/4-28 UNF	3/16
SB60	1/4-28 UNF	1/4



Pneumadyne offers a wide selection of Polyurethane tubing for use with the Bulkhead Connectors. A variety of sizes and colors are available to meet system requirements and for line identification purposes.

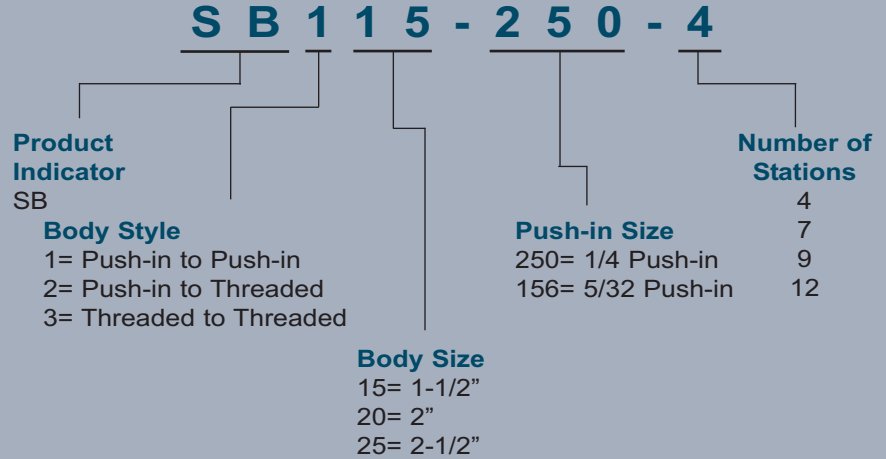


Bulkhead Connectors are a fast, convenient method of connecting multiple tubing lines in a control box.



The 1/4-28 threaded fittings available for use on the Threaded Body accept eight (ID) sizes of polyurethane tubing.

Product Number Diagram Static Bulkhead Connector



Example:

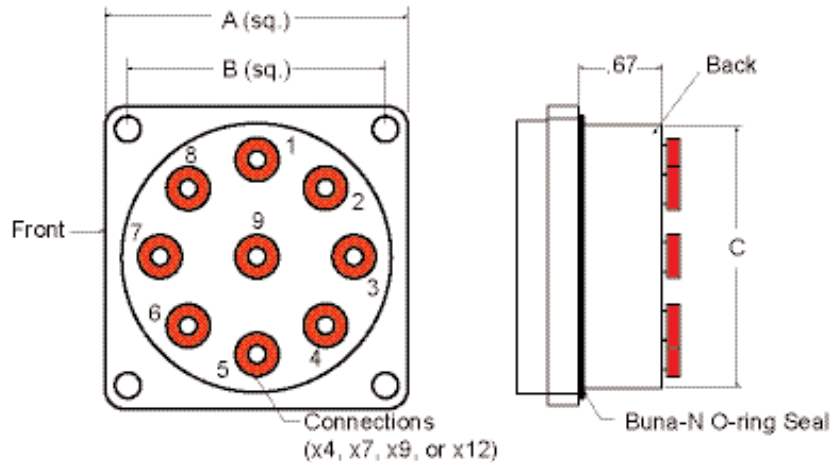
Static Bulkhead Connector with four stations a 1-1/2" Body and 1/4 Push-in Fittings

Ordering Information

- To order standard product refer to Product Information listing.
- 1/4-28 Fittings available for use with Bulkhead Connectors sold separately.
- Polyurethane tubing sold separately.
- Contact factory for custom configurations.

A Buna-N o-ring on the back side of the Bulkhead Connector provides a seal when mounted against a control panel or a machine

Static Bulkhead Connectors



Part Number	Front Connections	Back Connections	Number Stations	A OAL (sq)	B Mounting	C Panel Hole Diameter	Mounting Screws (4 req. not included)
SB115-156-4	5/32 Push-in	5/32 Push-in	4	1-1/2"	1.190"	1-5/16"	8-32 SHCS
SB120-156-7	5/32 Push-in	5/32 Push-in	7	2"	1.625"	1-11/16"	10-32 SHCS
SB125-156-9	5/32 Push-in	5/32 Push-in	9	2-1/2"	2.125"	2-1/4"	10-32 SHCS
SB125-156-12	5/32 Push-in	5/32 Push-in	12	2-1/2"	2.125"	2-1/4"	10-32 SHCS
SB215-156-4	5/32 Push-in	1/4-28 UNF	4	1-1/2"	1.190"	1-5/16"	8-32 SHCS
SB220-156-7	5/32 Push-in	1/4-28 UNF	7	2"	1.625"	1-11/16"	10-32 SHCS
SB225-156-9	5/32 Push-in	1/4-28 UNF	9	2-1/2"	2.125"	2-1/4"	10-32 SHCS
SB225-156-12	5/32 Push-in	1/4-28 UNF	12	2-1/2"	2.125"	2-1/4"	10-32 SHCS
SB115-250-4	1/4 Push-in	1/4 Push-in	4	1-1/2"	1.190"	1-5/16"	8-32 SHCS
SB120-250-7	1/4 Push-in	1/4 Push-in	7	2"	1.625"	1-11/16"	10-32 SHCS
SB125-250-9	1/4 Push-in	1/4 Push-in	9	2-1/2"	2.125"	2-1/4"	10-32 SHCS
SB125-250-12	1/4 Push-in	1/4 Push-in	12	2-1/2"	2.125"	2-1/4"	10-32 SHCS
SB215-250-4	1/4 Push-in	1/4-28 UNF	4	1-1/2"	1.190"	1-5/16"	8-32 SHCS
SB220-250-7	1/4 Push-in	1/4-28 UNF	7	2"	1.625"	1-11/16"	10-32 SHCS
SB225-250-9	1/4 Push-in	1/4-28 UNF	9	2-1/2"	2.125"	2-1/4"	10-32 SHCS
SB225-250-12	1/4 Push-in	1/4-28 UNF	12	2-1/2"	2.125"	2-1/4"	10-32 SHCS
SB315-4	1/4-28 UNF	1/4-28 UNF	4	1-1/2"	1.190"	1-5/16"	8-32 SHCS
SB320-7	1/4-28 UNF	1/4-28 UNF	7	2"	1.625"	1-11/16"	10-32 SHCS
SB325-9	1/4-28 UNF	1/4-28 UNF	9	2-1/2"	2.125"	2-1/4"	10-32 SHCS
SB325-12	1/4-28 UNF	1/4-28 UNF	12	2-1/2"	2.125"	2-1/4"	10-32 SHCS

● When design makes a dimension critical- contact factory for confirmation. All dimensions shown subject to change without notice.

Features

- Plug/socket assemblies *float and rotate*
- Captive screws expedite *connection and disconnection*
- Mounting versatility



The Ribbon Tube Connector

The Ribbon Tube Connector easily connects and disconnects sections of a system, ensuring fast installation of multiple tube lines. This feature is especially important when replacing test equipment fixtures, installing new equipment, or repairing machines.

The combination of the Pneumadyne Ribbon Tube Connector with multi-bore or multi-color ribbon tubing provides a cost effective method of routing multi-tubing and eliminates the need for spiral wrap or jacketing.

The Ribbon Tube Connector consists of two black anodized aluminum retaining bars each containing four (4) channels for the barb connectors. The plug/socket barb assemblies float and rotate within their respective retaining bars to accommodate the natural twist (lay) of single tubing. To prevent misconnection, one channel connection is off-set.

Performance Data

Temperature Range	Operating Pressure	Mounting
-20° to 160° F -28° to 71° C	125 psi max.	Panel or Surface

- Please refer to [flow rate information](#)

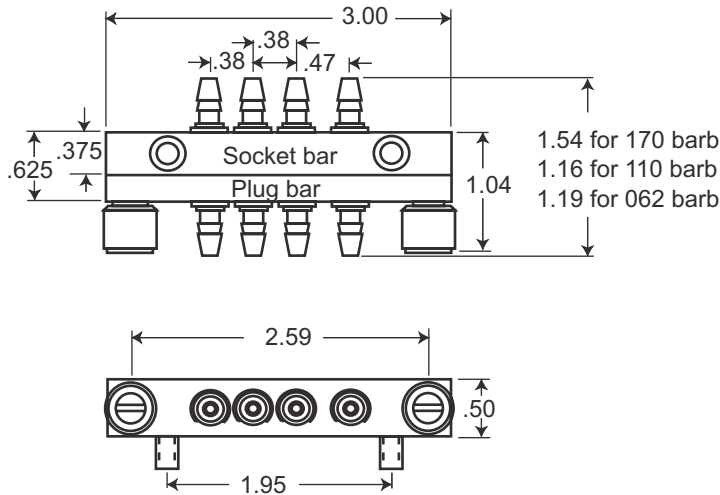
When additional lines are required, more connectors can be stacked to accommodate the additional tubing lines.

Two (2) spring loaded captive screws connect the two (2) retaining bars. These screws can be hand tightened, or tightened with a flat-blade screw driver if necessary. The snap-in style spring loaded captive screw expedites assembly and disassembly.

The Ribbon Tube Connector can be panel mounted with two (2) 6-32 screws (not included) or surface mounted with the 10-32 threaded mounting screws. The mounting screws are electroless nickel plated cold rolled steel with a 10-32 female thread tapped in the head of the screw. This permits the vertical stacking of several Ribbon Tube Connectors. The screws completely recess into the socket retaining bar and allow retaining bar assemblies to fit securely together. A 10-32 nut (not supplied) holds multiple assemblies together when not used as a surface mount. The result is a convenient junction point where numerous tube lines can be connected and disconnected easily.

(Continued on next page)

Ribbon Tube Connector



Ordering Information

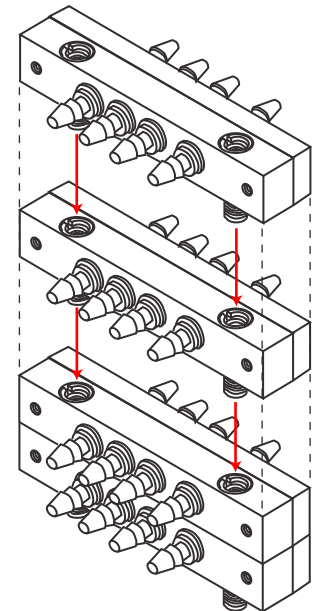
The plug barb assembly and socket assembly are sold separately and are available with all barbs of one size. Separate components of the Ribbon Tube Connector are also available for applications requiring assorted barb sizes.

Product Information

Part Number	Description	Part Number	Description
RTCP-062	Ribbon Tube Plug - 062 barb	RTCS-062	Ribbon Tube Socket - 062 barb
RTCP-110	Ribbon Tube Plug - 110 barb	RTCS-110	Ribbon Tube Socket - 110 barb
RTCP-170	Ribbon Tube Plug - 170 barb	RTCS-170	Ribbon Tube Socket - 170 barb
RTCPB	Ribbon Tube Plug Bar ONLY (with Captive Screws)	RTCSB	Ribbon Tube Socket Bar ONLY (with Mounting Screws)
RTPB-062	Ribbon Tube Plug Bar with 062 barb	RTSB-062	Ribbon Tube Socket Bar with 062 barb
RTPB-110	Ribbon Tube Plug Bar with 110 barb	RTSB-110	Ribbon Tube Socket Bar with 110 barb
RTPB-170	Ribbon Tube Plug Bar with 170 barb	RTSB-170	Ribbon Tube Socket Bar with 170 barb

(Continued)

Retained in a recessed area near the end of the plug is a Buna N O-ring. Often a face seal requires placement and realignment after each connection and disconnection, this design keeps the O-ring in place. This high quality seal ensures a leakproof fit between the plug and the socket.



Materials

- Retaining Bars: Black Anodized Aluminum
- Plug/Socket assemblies: Brass, Electroless Nickel Plating
- Mounting Screws: Cold Rolled Steel, Electroless Nickel Plating
- O-rings: Buna-N - other materials available- contact factory

Tube Cutter



Product Number	Description
TC-1000	Tube Cutter
TCR	Blade Replacement

Precision cutter makes quick, clean and square cuts on all plastic tubing materials.

All dimensions and specifications are subject to change without notice



Polyurethane tubing characteristics include minimal water absorption, high flexibility and opaque color pigments

Durometer Defined Working Pressure Information

70A Durometer tubing is a softer compound that has a very lively, rubbery characteristic. It is extremely flexible, has good memory, resists kinking. This supple tubing installs easily onto barbed fittings but is recommended only for low pressure applications.

85A Durometer tubing is flexible enough to make tight bends without kinking and is designed to work with mini-barb fittings. The materials outstanding memory provides a tight grip requiring no clamping up to 100 psi.

90A Durometer hardness gives additional burst pressure strength needed for larger diameter sizes of PUR tubing. The 1/4 x .170 and 1/4 x 3/16 sizes are designed for optimal flow characteristics, but should only be used with barbed type fittings. Careful attention should be paid to the lower working pressure capabilities of these thinner wall tubings.

95A Durometer tubing is a slightly harder compound that increases wall rigidity to enable it to work with most brands of push-to-connect pneumatic fittings. It offers outstanding toughness and significantly higher working pressures, yet sacrifices very little flexibility.

Temperature consideration

Thermoplastic tubing is affected by temperature. Careful consideration must be given to the reduced pressure capabilities of tubing as temperatures are increased.

The Pressure rating of polyurethane tubing is determined by testing the short term bursting pressure at 75°F. The working pressure is calculated as a ratio of the burst pressure by dividing the burst pressure by an appropriate safety factor. Three-to-one, or four-to-one safety factors are commonly used depending upon the severity of the application. If required, reinforced tubing can offer significantly higher pressure ratings.

Example: If tubing burst pressure is 450 psi @ 75°F, the working pressure with a 3 to 1 safety factor is 150 psi, or with a 4 to 1 safety factor the working pressure would be 112 psi. Safety factors of less than 3 to 1 are not recommended.

Formula:

$$\frac{\text{Burst pressure}}{\text{Safety factor}} = \text{Working pressure}$$

Example:

$$\frac{450 \text{ psi @ } 75^{\circ}\text{F}}{3 \text{ to } 1 \text{ safety factor}} = \frac{150 \text{ psi}}{\text{Working pressure}}$$