

Features

- Controls cylinder extension and retraction
- Allows rapid cylinder return
- 3-Way Normally Closed
- Quick Exhaust & Needle Valve options
- Male pipe thread for direct mount to single acting spring return cylinders



Cylinder Control Bases

When used in conjunction with Pneumadyne's 15 mm Solenoid Valves, these precision machined bases are an ideal choice for applications requiring controlled movement of single-acting spring return cylinders. Configurations featuring a quick exhaust and/or needle valve are available to easily control cylinder extension and retraction speeds. These precision machined valves were designed for use with [Pneumadyne's 15 mm Solenoid Valves \(sold separately\)](#).

Materials

Brass/Electroless Nickel,
Aluminum/Anodize, Stainless Steel, Buna-N, Urethane

Performance Data

Temperature Range	Operating Pressure		Media		
-20° to 160° F	0 to 125 psi		Air		
Product	Max. Flow (scfm)		C _v	Fill Time sec/in ³ 0-90 psi	Exhaust Time sec/ in ³ 100-10 psi
	50 psi	125 psi			
CCV-F1-1	2.1	4.6	.045	.070	.120
CCV-F1-2	1.8	4.1	.045	.070	.012
CCV-F1-3	2.1	4.6	.045	.070	.012
CCV-F1-4	1.8	4.1	.045	.070	.120
CCV-44-4	1.8	4.1	.045	.070	.120

Cv per ANSI / (NFPA) T3.21.3

Operator: 15 mm 3WNC solenoid valve Ø1.6 mm orifice (sold separately)

Five configurations are available to accommodate cylinder extension and retraction requirements:

CCV-F1-1 features a 10-32 (F) input port and 1/8 NPT output port. Input pressure determines the rate of cylinder extension while the cylinder's spring controls rod retraction.

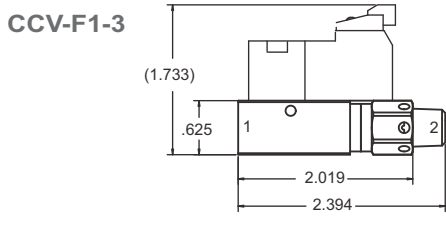
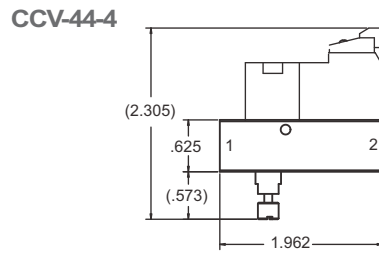
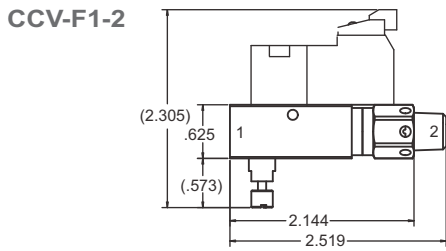
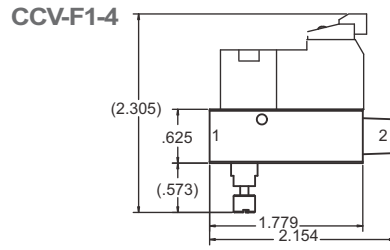
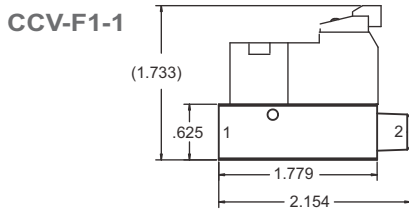
CCV-F1-2 offers the combination of a Needle Valve and Quick Exhaust providing controlled cylinder movement in both directions. A built-in Needle Valve in the input port, 10-32 (F), controls cylinder extension while the 1/8 NPT Quick Exhaust in the output port allows rapid cylinder return.

CCV-F1-3 provides a 10-32 (F) input port and built-in Quick Exhaust with 1/8 NPT output port. Input pressure controls the cylinder extension and the Quick Exhaust allows rapid cylinder return.

CCV-F1-4 features a built-in Needle Valve in the input port, 10-32 (F), for controlled cylinder extension. The cylinder's spring controls rod retraction.

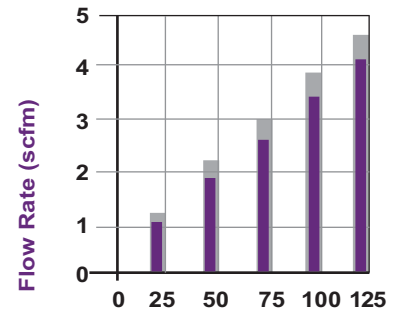
CCV-44-4 features 1/8 NPT (F) input and output ports. A built-in Needle Valve in the input port provides controlled cylinder extension while the cylinder's spring controls rod retraction.

Cylinder Control Valve



Cylinder Control Valve

Max. Flow vs. Input Pressure

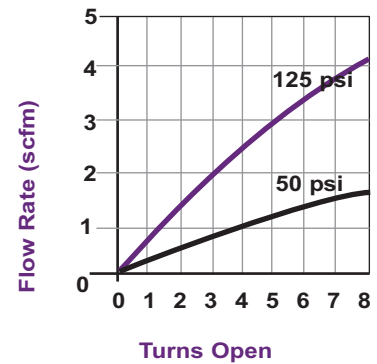


Input Pressure (psi)

CCV-F1-2
CCV-F1-4, CCV-44-4
CCV-F1-1 & CCV-F1-3

Cylinder Control Valve

Turns vs. Pressure for Needle Valves



Function

Applying an electrical signal to the solenoid results in the controlled rod movement determined by the Cylinder Control Base.

Product Information

Part Number	Input	Output
CCV-F1-1	10-32 (F)	1/8 NPT
CCV-F1-2	10-32 (F) Needle Valve	1/8 NPT Quick Exhaust
CCV-F1-3	10-32 (F)	1/8 NPT Quick Exhaust
CCV-F1-4	10-32 (F) Needle Valve	1/8 NPT
CCV-44-4	1/8 NPT (F) Needle Valve	1/8 NPT (F)

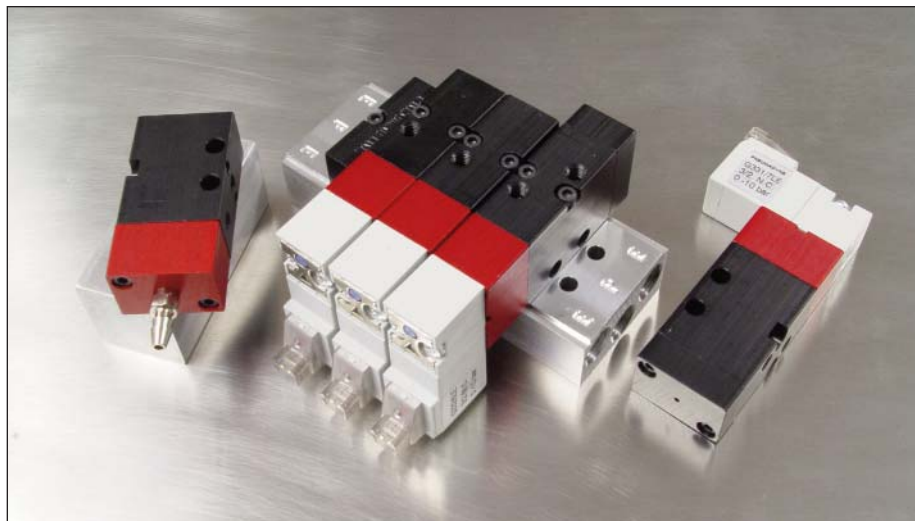
Ordering Information

- To order standard product refer to Product Information listing.
- 15 mm Solenoid Valves sold separately.
- Contact factory for custom porting configurations.

Ideal for controlling the movement of single-acting spring return cylinders

Features

- 3-way normally closed, 3-way normally open & 4-way
- Manual override
- Balanced spool
- Mounting versatility
- Lubricated and Non-lubricated air
- Several connector options
- Low power consumption



Solenoid & Air Pilot Operated 3 & 4-Way Valves "20" Series

The modular design of Pneumadyne's "20" Series provides plumbing convenience and mounting versatility. For installation flexibility, these high flow 3-way and 4-way valves are available with a 10-32 (F) air pilot or a variety of 1 watt 15 mm solenoid operators. Precision machining and an exclusive plating process ensure a long product life and enable the valves to be used with lubricated and non-lubricated air.

Materials

Aluminum/Anodize, Brass/Electroless Nickel, Buna-N, Stainless Steel, Copper, Nylon-Glass Filled

Tested for millions of trouble free cycles

Two Body Styles Provide Versatility

The unique design of the **Universal** valve body allows inline or multiple station manifold mounting. When used with Pneumadyne's Universal Manifolds, the 10-32 (F) cylinder ports are located on the top of the valve body and exhaust flow is directed through 1/8 NPT (F) ports on the manifold. This configuration is ideal for applications requiring the capture and removal of exhaust flow.

The **Manifold** ported valve body must be used with Pneumadyne's "20" Series standard manifolds. This compact valve package features 10-32 (F) output ports located on one side of the manifold contributing to a cleaner, faster installation. Positioning the input and output ports on the manifold permits the valve to be changed without disconnecting system plumbing. Speed control valves can be used in the 10-32 (F) exhaust ports located on top of the valve body, ideal for controlling cylinder speeds from a central location.

Pneumatic Performance Data "20" Series

Temperature Range		20°F to 120°F (-5°C to 50°C)*				
Operating Pressure	C _v	Flow Rate (scfm)		Fill Time sec/ in ³ 0-90 psi	Exhaust Time sec/ in ³ 100-10 psi	Actuating Pressure (min. psi)
		50 psi	125 psi			
0-125 psi (0-8.6 bar)	.15	5.8	12.1	.02	.05	15

Cv per ANSI / (NFPA) T3.21.3, *100% Duty Cycled

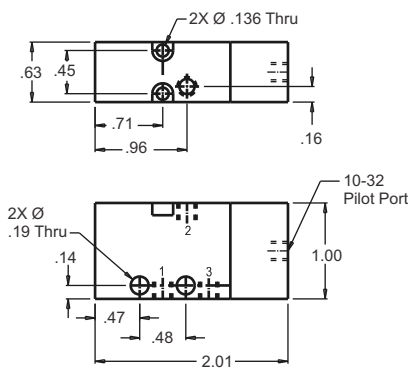
Electrical Performance Data Solenoid Operator

Power	Voltages	Voltage Tolerance	Response Time Energize	Response Time De-energize	Copper Wire Insulation Class
1 Watt	12 DC, 24 DC	-5% to 10%	10 ms	12 ms	F 311°F (155°C)
2.8 VA 2.5 VA holding	110 50/60Hz				

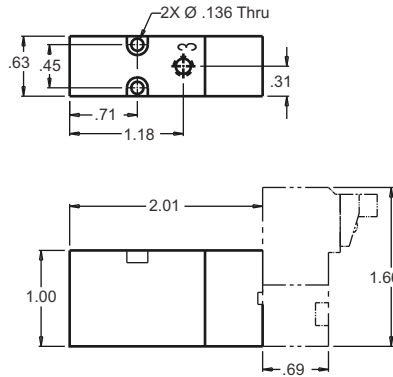
Connector wire gauge: 24 AWG

"20" Series Valves

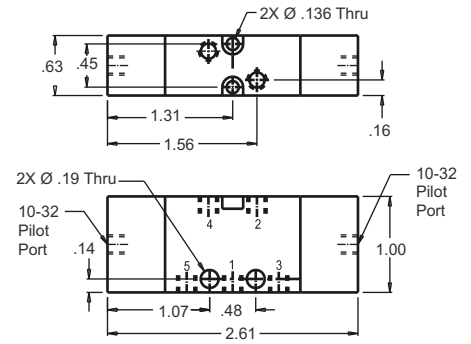
3-Way Single Air Pilot



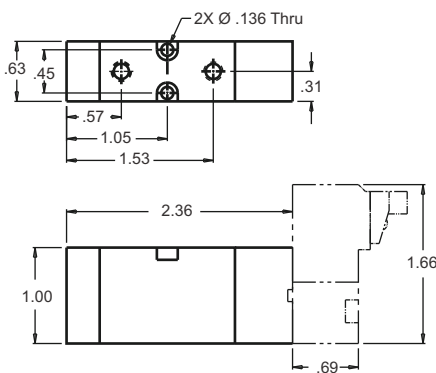
3-Way Single Solenoid



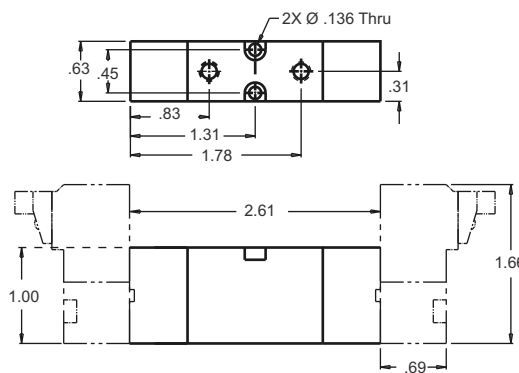
4-Way Double Air Pilot



4-Way Single Solenoid



4-Way Double Solenoid



● Drawings illustrate selected valve body dimensions, additional drawings available. When design makes a dimension critical- contact factory for confirmation. All measurements in inches, unless otherwise specified and are subject to change without notice.

Product Number Diagram
"20" Series

S 2 0 U 3 0 - S S - 1 1 - 0

Body

U=Universal
M=Manifold

Function

30= 3WNC
31= 3WNO
42= 4-Way 5 Port
2 Position

Voltage

12= 12V DC
24= 24V DC
11= 110 AC

Operator

SS= Single Solenoid
DS= Double Solenoid
AP= Single Air Pilot
DP= Double Air Pilot

Connectors

0= Spade
2= Flying Leads
300 mm
3= Line Connector
w/LED
4= 90° Connector
w/LED

Example:

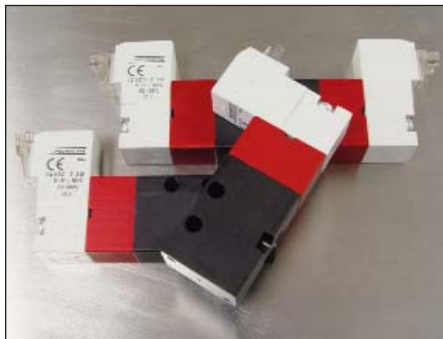
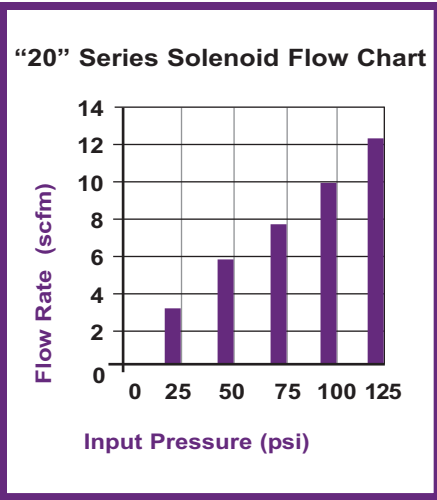
Universal body, 3WNC, Single Solenoid, 110 AC, Spade Connector

PneuTef™

Lightweight aluminum spools and thin profile seals enhance valve speed and ensure low breakaway. An exclusive PTFE impregnated surface results in a smooth, slippery finish extending product life.



For Lubricated and Non-Lubricated Air



Universal style valves are designed for single mounting or multiple station manifold mounting

Product Information "20" Series

Air Pilot Operated Universal Body

Part Number	Function
S20U30-AP	3WNC
S20U31-AP	3WNO
S20U42-AP	4-Way, Air Pilot
S20U42-DP	4-Way, Double Air Pilot

Air Pilot Operated Manifold Body

Part Number	Function
S20M30-AP	3WNC
S20M31-AP	3WNO
S20M42-AP	4-Way, Air Pilot
S20M42-DP	4-Way, Double Air Pilot

Product Information "20" Series

3-Way Normally Closed Universal Body/ Single Solenoid

Part Number	Connection
110V AC / 2.8 VA / Orifice 1.1/1.1 mm	
S20U30-SS-11-0	Spade
S20U30-SS-11-2	Flying Leads
S20U30-SS-11-3	Line Connector
S20U30-SS-11-4	90° Connector
12V DC / 1 Watt / Orifice 0.8/1.1 mm	
S20U30-SS-12-0	Spade
S20U30-SS-12-2	Flying Leads
S20U30-SS-12-3	Line Connector
S20U30-SS-12-4	90° Connector
24V DC / 1 Watt / Orifice 0.8/1.1 mm	
S20U30-SS-24-0	Spade
S20U30-SS-24-2	Flying Leads
S20U30-SS-24-3	Line Connector
S20U30-SS-24-4	90° Connector

3-Way Normally Closed Manifold Body/ Single Solenoid

Part Number	Connection
110V AC / 2.8 VA / Orifice 1.1/1.1 mm	
S20M30-SS-11-0	Spade
S20M30-SS-11-2	Flying Leads
S20M30-SS-11-3	Line Connector
S20M30-SS-11-4	90° Connector
12V DC / 1 Watt / Orifice 0.8/1.1 mm	
S20M30-SS-12-0	Spade
S20M30-SS-12-2	Flying Leads
S20M30-SS-12-3	Line Connector
S20M30-SS-12-4	90° Connector
24V DC / 1 Watt / Orifice 0.8/1.1 mm	
S20M30-SS-24-0	Spade
S20M30-SS-24-2	Flying Leads
S20M30-SS-24-3	Line Connector
S20M30-SS-24-4	90° Connector

3-Way Normally Open Universal Body/ Single Solenoid

Part Number	Connection
110V AC / 2.8 VA / Orifice 1.1/1.1 mm	
S20U31-SS-11-0	Spade
S20U31-SS-11-2	Flying Leads
S20U31-SS-11-3	Line Connector
S20U31-SS-11-4	90° Connector
12V DC / 2.3 Watt / Orifice 1.1/1.1 mm	
S20U31-SS-12-0	Spade
S20U31-SS-12-2	Flying Leads
S20U31-SS-12-3	Line Connector
S20U31-SS-12-4	90° Connector
24V DC / 2.3 Watt / Orifice 1.1/1.1 mm	
S20U31-SS-24-0	Spade
S20U31-SS-24-2	Flying Leads
S20U31-SS-24-3	Line Connector
S20U31-SS-24-4	90° Connector

3-Way Normally Open Manifold Body/ Single Solenoid

Part Number	Connection
110V AC / 2.8 VA / Orifice 1.1/1.1 mm	
S20M31-SS-11-0	Spade
S20M31-SS-11-2	Flying Leads
S20M31-SS-11-3	Line Connector
S20M31-SS-11-4	90° Connector
12V DC / 2.3 Watt / Orifice 1.1/1.1 mm	
S20M31-SS-12-0	Spade
S20M31-SS-12-2	Flying Leads
S20M31-SS-12-3	Line Connector
S20M31-SS-12-4	90° Connector
24V DC / 2.3 Watt / Orifice 1.1/1.1 mm	
S20M31-SS-24-0	Spade
S20M31-SS-24-2	Flying Leads
S20M31-SS-24-3	Line Connector
S20M31-SS-24-4	90° Connector

Choose from 12 & 24 Volt DC & 110 Volt AC to accommodate most applications. Other voltages available on special order- contact factory

Product Information “20” Series

**4-Way 5 Port 2 Position
Universal Body/ Single
Solenoid**

<i>Part Number</i>	<i>Connection</i>
110V AC / 2.8 VA / Orifice 1.1/1.1 mm	
S20U42-SS-11-0	Spade
S20U42-SS-11-2	Flying Leads
S20U42-SS-11-3	Line Connector
S20U42-SS-11-4	90° Connector
12V DC / 1 Watt / Orifice 0.8/1.1 mm	
S20U42-SS-12-0	Spade
S20U42-SS-12-2	Flying Leads
S20U42-SS-12-3	Line Connector
S20U42-SS-12-4	90° Connector
24V DC / 1 Watt / Orifice 0.8/1.1 mm	
S20U42-SS-24-0	Spade
S20U42-SS-24-2	Flying Leads
S20U42-SS-24-3	Line Connector
S20U42-SS-24-4	90° Connector

**4-Way 5 Port 2 Position
Manifold Body/Single Solenoid**

<i>Part Number</i>	<i>Connection</i>
110V AC / 2.8 VA / Orifice 1.1/1.1 mm	
S20M42-SS-11-0	Spade
S20M42-SS-11-2	Flying Leads
S20M42-SS-11-3	Line Connector
S20M42-SS-11-4	90° Connector
12V DC / 1 Watt / Orifice 0.8/1.1 mm	
S20M42-SS-12-0	Spade
S20M42-SS-12-2	Flying Leads
S20M42-SS-12-3	Line Connector
S20M42-SS-12-4	90° Connector
24V DC / 1 Watt / Orifice 0.8/1.1 mm	
S20M42-SS-24-0	Spade
S20M42-SS-24-2	Flying Leads
S20M42-SS-24-3	Line Connector
S20M42-SS-24-4	90° Connector

Accessories

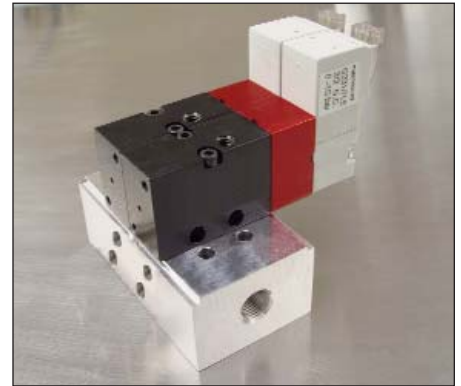
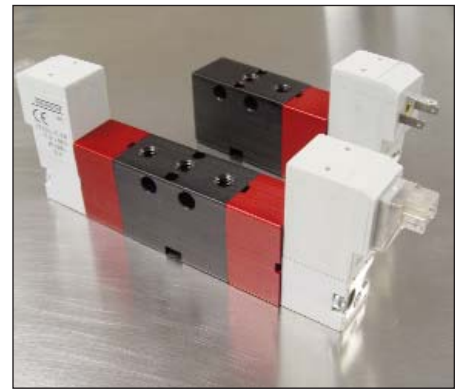
<i>Part Number</i>	
SMMC-300	Plug-in Cable 300 mm
SMMC-500	Plug-in Cable 500 mm
SMMC-1000	Plug-in Cable 1000 mm
SMM-DIN	DIN Connector
SMM-MDIN	Molded DIN Connector

**4-Way 5 Port 2 Position
Universal Body/ Double
Solenoid**

<i>Part Number</i>	<i>Connection</i>
110V AC / 2.8 VA / Orifice 1.1/1.1 mm	
S20U42-DS-11-0	Spade
S20U42-DS-11-2	Flying Leads
S20U42-DS-11-3	Line Connector
S20U42-DS-11-4	90° Connector
12V DC / 1 Watt / Orifice 0.8/1.1 mm	
S20U42-DS-12-0	Spade
S20U42-DS-12-2	Flying Leads
S20U42-DS-12-3	Line Connector
S20U42-DS-12-4	90° Connector
24V DC / 1 Watt / Orifice 0.8/1.1 mm	
S20U42-DS-24-0	Spade
S20U42-DS-24-2	Flying Leads
S20U42-DS-24-3	Line Connector
S20U42-DS-24-4	90° Connector

**4-Way 5 Port 2 Position
Manifold Body/ Double
Solenoid**

<i>Part Number</i>	<i>Connection</i>
110V AC / 2.8 VA / Orifice 1.1/1.1 mm	
S20M42-DS-11-0	Spade
S20M42-DS-11-2	Flying Leads
S20M42-DS-11-3	Line Connector
S20M42-DS-11-4	90° Connector
12V DC / 1 Watt / Orifice 0.8/1.1 mm	
S20M42-DS-12-0	Spade
S20M42-DS-12-2	Flying Leads
S20M42-DS-12-3	Line Connector
S20M42-DS-12-4	90° Connector
24V DC / 1 Watt / Orifice 0.8/1.1 mm	
S20M42-DS-24-0	Spade
S20M42-DS-24-2	Flying Leads
S20M42-DS-24-3	Line Connector
S20M42-DS-24-4	90° Connector



Output ports are located on one side of the standard manifold for a cleaner, faster installation

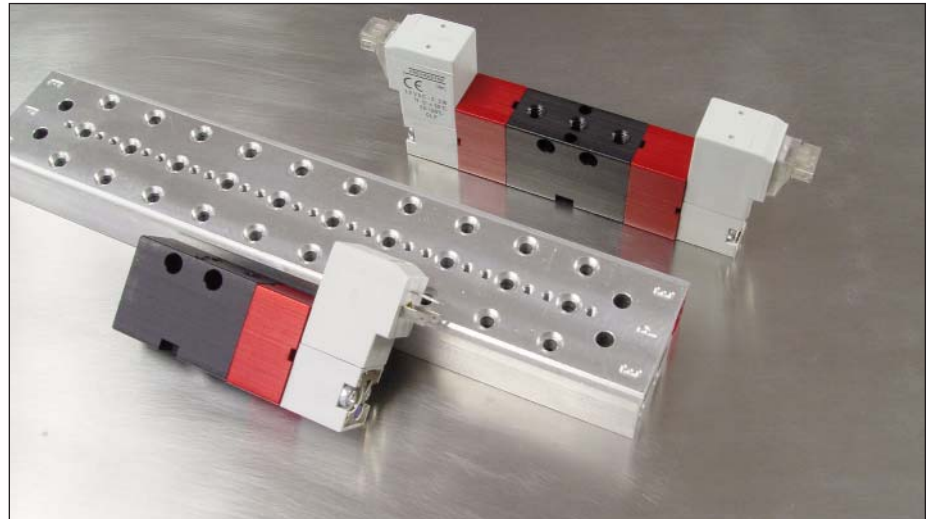
300 mm Plug-in Cable included with Line and 90° Connector

Ordering Information

- To order standard product refer to Product Information listing.
- 300 mm Plug-in cable included with valves featuring the Line or 90° Connector.

Features

- 2 to 10 station
- Clear anodized aluminum for corrosion resistance
- Convenient junction point
- Precision machined
- Lightweight



“20” Series Manifolds

Precision machined aluminum manifolds are a compact, cost effective method of mounting multiple "20" Series valves. The versatile design allows 3 & 4-way valves to be combined on the same manifold.

Choose from two to 10-stations to accommodate application requirements.

Two styles of manifolds are available to compliment the "20" Series Universal and Manifold valve bodies. Be sure to select the correct product grouping when ordering valves and manifolds.

All manifolds are anodized for corrosion resistance. Cover plates are available to conceal unused stations and block the valve supply port.

Performance Data

Temperature Range
-10°F to 200°F / -23°C to 93°C

Materials

Aluminum, Clear Anodize

Port Designation

	Universal	Standard
Pressure	1/8 NPT (F)	1/8 NPT (F)
Output	10-32 (F) top of valve body	10-32 (F)
Exhaust	1/8 NPT (F)	10-32 (F) top of valve body

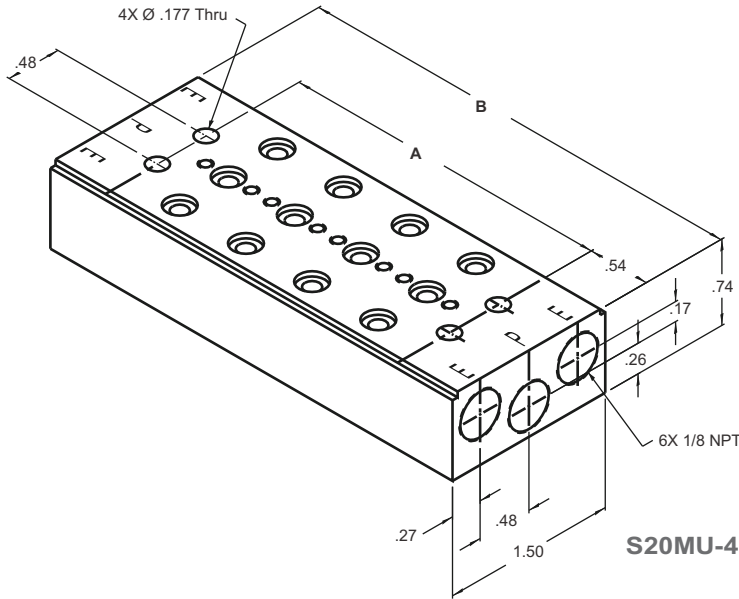
We design custom products to meet your application needs

Ordering Information

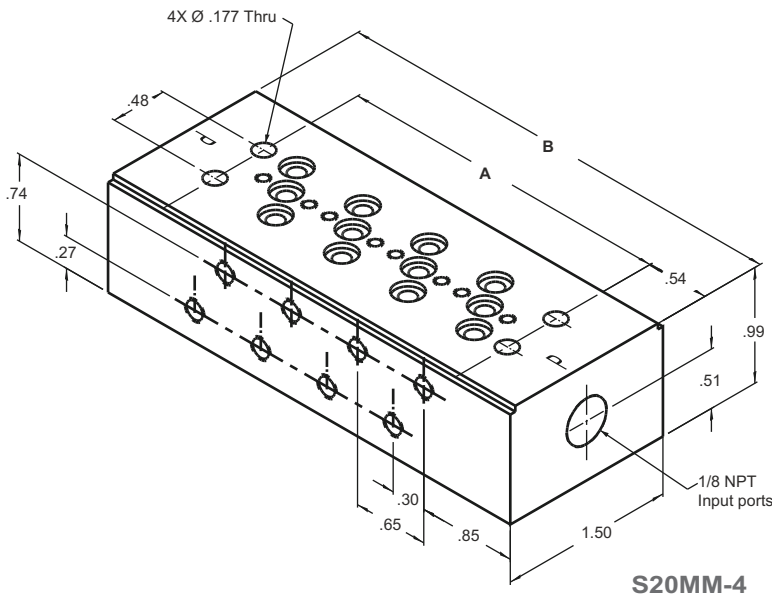
- To order standard product refer to Product Information listing.
- Contact factory for custom colors.
- Cover Plates available to conceal unused stations.
- O-rings and mounting screws included with manifolds.

“20” Series Manifold

Universal
1/8 NPT (F)
Pressure and Exhaust ports



Standard
1/8 NPT (F) Pressure port
10-32 Output ports



● All measurements in inches, unless otherwise specified. When design makes a dimension critical- contact factory for confirmation. All dimensions shown subject to change without notice.

Product Information

“20” Series Manifolds

Universal

(for Universal Valve Body)

Part Number	Stations	A	B
S20MU-2	2	1.57	2.65
S20MU-4	4	2.87	3.95
S20MU-6	6	4.17	5.25
S20MU-8	8	5.47	6.55
S20MU-10	10	6.77	7.85

Standard

(for Manifold Valve Body)

Part Number	Stations	A	B
S20MM-2	2	1.57	2.65
S20MM-4	4	2.87	3.95
S20MM-6	6	4.17	5.25
S20MM-8	8	5.47	6.55
S20MM-10	10	6.77	7.85

Accessory

Part Number	Description
S20M-CP	Cover plate

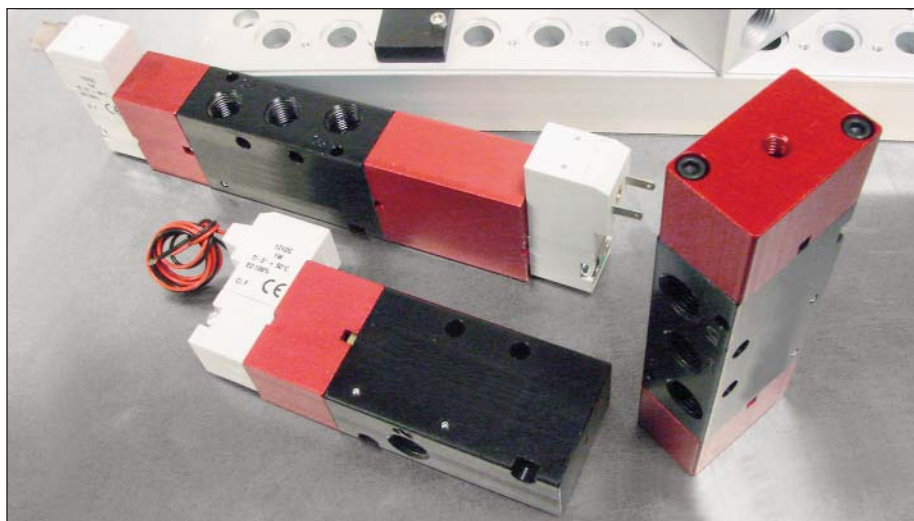


Cylinder speeds are easily controlled by using speed control valves in the exhaust ports on top of the valve body

“20” Series manifolds are designed for use with specific valves. Be sure to select the correct product grouping when ordering valves & manifolds

Features

- 3-Position 4-way valves feature closed and exhaust centers
- High flow rate
- 1/8 NPT (F) ports
- Balanced spool
- Low power consumption
- Lubricated and non-lubricated air



Solenoid & Air Pilot Operated 3 & 4-Way Valves "22" Series

Pneumadyne's new "22" Series offers high flow 3-way and 4-way configurations with 1/8 NPT (F) ports. In addition to the standard 2-Position 4-way, the "22" Series also features 3-Position 4-way valves with Closed or Exhaust centers to satisfy system requirements.

For installation flexibility, single or double air pilot and solenoid operators are available to shift the valve. Pneumadyne's 1 Watt, 15 mm solenoid valves present a variety of voltage and connector options.

Unique to the "22" Series, our Latching Solenoid can replace two solenoid valves in a 4-way, 2-Position "double solenoid" configuration; an energy and space saving option.

Materials

Aluminum/Anodize, Brass/Electroless Nickel, Buna-N, Stainless Steel, Copper, Nylon - Glass Filled

The design of the Universal valve body allows inline or multiple station manifold mounting. When used with Pneumadyne's "22" Series Manifolds, the 1/8 NPT (F) cylinder ports are located on the top of the valve body and exhaust flow is directed through 1/8 NPT (F) ports on the manifold. This configuration is ideal for applications requiring the capture and removal of exhaust flow.

Precision machining and our exclusive PneuTef™ plating process ensure a long product life and enable the valves to be used with lubricated and non-lubricated air.

Pneumatic Performance Data "22 Series"

Temperature Range	20°F to 120°F (-5°C to 50°C)*
Operating Pressure	10 to 125 psi

Function	C _v	Flow Rate (scfm)		Fill Time sec/ in ³ 0-90 psi	Exhaust Time sec/ in ³ 100-10 psi	Actuating Pressure (psi)
		50 psi	125 psi			
3-Way Normally Closed	0.43	17	40	0.007	0.018	10
4-Way 5 Port 2 Position	0.43	17	40	0.008	0.018	10
4-Way 5 Port 3 Position	0.42	16	35	0.008	0.015	10

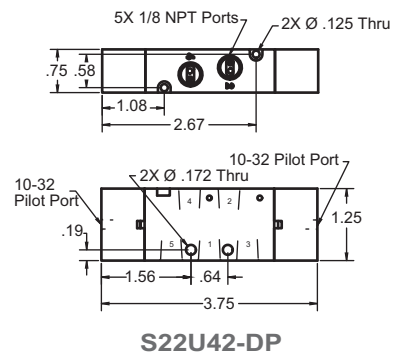
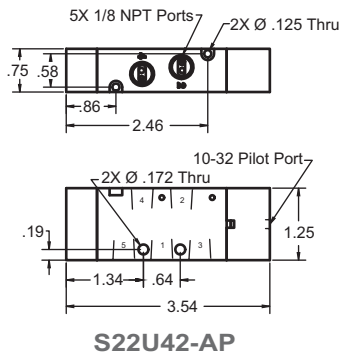
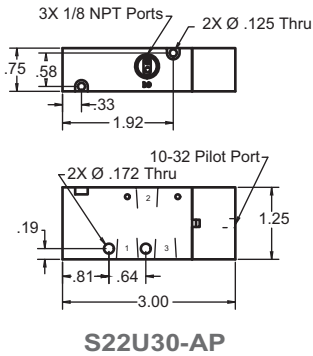
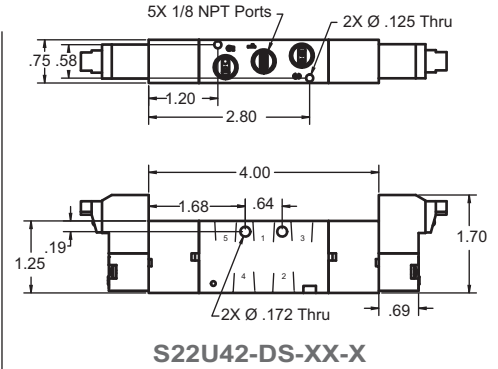
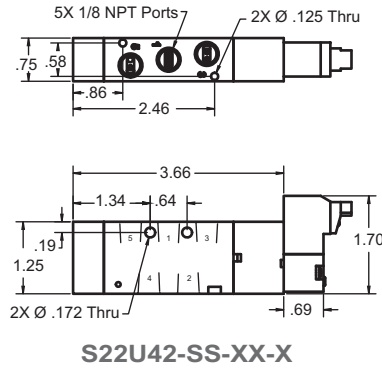
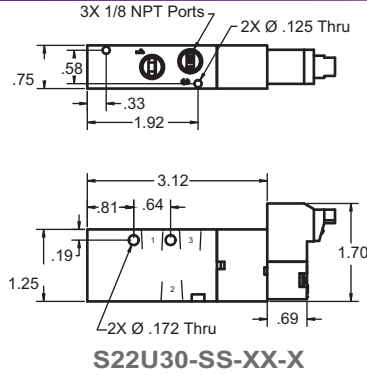
Cv per ANSI / (NFPA) T3.21.3, *100% Duty Cycled

Electrical Performance Data Solenoid Operator

Voltage Tolerance	Response Time Energize	Response Time De-energize	Copper Wire Insulation Class
-5% to 10%	10 ms	12 ms	F 311°F (155°C)

Connector wire gauge: 24 AWG

"22" Series Valves



Product Number Diagram
"22" Series

S 2 2 U 4 C - D S - 1 2 - 0

Body
U=Universal

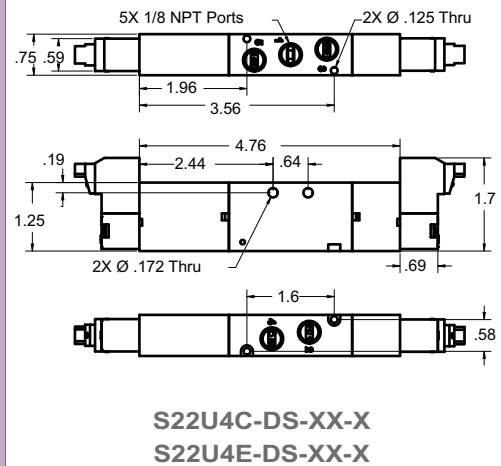
Function
30= 3-Way Normally Closed
42= 4-Way 2 Position
4C= 4-Way Closed Center
4E= 4-Way Exhaust Center

Voltage
12= 12V DC
24= 24V DC
11=110 AC

Operator
SS= Single Solenoid
DS= Double Solenoid
AP= Single Air Pilot
DP= Double Air Pilot
LS= Latching Solenoid

Connectors
0= Spade
2= Flying Leads
300 mm
3= Line Connector
w/LED
4= 90° Connector
w/LED

Example:
Universal, 4-Way Closed Center, Double Solenoid, 12V DC, Spade



● **Closed Center Valves Caution:**
Vent working lines before disconnecting

Product Information "22" Series

3-Way Normally Closed Single Solenoid

Part Number	Connection
Air Pilot	
S22U30-AP	Air Pilot
110 AC 2.8 VA/ Orifice 1.1/1.1 mm	
S22U30-SS-11-0	Spade
S22U30-SS-11-2	Flying Leads
S22U30-SS-11-3	Line Connector
S22U30-SS-11-4	90° Connector
12 DC 1 Watt/ Orifice 0.8/1.1 mm	
S22U30-SS-12-0	Spade
S22U30-SS-12-2	Flying Leads
S22U30-SS-12-3	Line Connector
S22U30-SS-12-4	90° Connector
24 DC 1 Watt/ Orifice 0.8/1.1 mm	
S22U30-SS-24-0	Spade
S22U30-SS-24-2	Flying Leads
S22U30-SS-24-3	Line Connector
S22U30-SS-24-4	90° Connector

4-Way 5 Port 2 Position Double Solenoid

Part Number	Connection
Air Pilot	
S22U42-AP	Air Pilot
S22U42-DP	Air Pilot
110 AC 2.8 VA/ Orifice 1.1/1.1 mm	
S22U42-DS-11-0	Spade
S22U42-DS-11-2	Flying Leads
S22U42-DS-11-3	Line Connector
S22U42-DS-11-4	90° Connector
12 DC 1 Watt/ Orifice 0.8/1.1 mm	
S22U42-DS-12-0	Spade
S22U42-DS-12-2	Flying Leads
S22U42-DS-12-3	Line Connector
S22U42-DS-12-4	90° Connector
24 DC 1 Watt/ Orifice 0.8/1.1 mm	
S22U42-DS-24-0	Spade
S22U42-DS-24-2	Flying Leads
S22U42-DS-24-3	Line Connector
S22U42-DS-24-4	90° Connector

Our exclusive seal material accommodates low temperature applications. Contact factory for additional information

4-Way 5 Port 2 Position Single Solenoid

Part Number	Connection
110 AC 2.8 VA/ Orifice 1.1/1.1 mm	
S22U42-SS-11-0	Spade
S22U42-SS-11-2	Flying Leads
S22U42-SS-11-3	Line Connector
S22U42-SS-11-4	90° Connector
12 DC 1 Watt/ Orifice 0.8/1.1 mm	
S22U42-SS-12-0	Spade
S22U42-SS-12-2	Flying Leads
S22U42-SS-12-3	Line Connector
S22U42-SS-12-4	90° Connector
24 DC 1 Watt/ Orifice 0.8/1.1 mm	
S22U42-SS-24-0	Spade
S22U42-SS-24-2	Flying Leads
S22U42-SS-24-3	Line Connector
S22U42-SS-24-4	90° Connector

4-Way 5 Port 2 Position Latching Solenoid Single Solenoid

Part Number	Connection
12 DC 3 Watt/ Orifice 1.1/1.1 mm	
S22U42-LS-12-2	Flying Leads
24 DC 3 Watt/ Orifice 1.1/1.1 mm	
S22U42-LS-24-2	Flying Leads

4-Way 5 Port 3 Position Double Solenoid - Closed Center

Part Number	Connection
110 AC 2.8 VA/ Orifice 1.1/1.1 mm	
S22U4C-DS-11-0	Spade
S22U4C-DS-11-2	Flying Leads
S22U4C-DS-11-3	Line Connector
S22U4C-DS-11-4	90° Connector
12 DC 1 Watt/ Orifice 0.8/1.1 mm	
S22U4C-DS-12-0	Spade
S22U4C-DS-12-2	Flying Leads
S22U4C-DS-12-3	Line Connector
S22U4C-DS-12-4	90° Connector
24 DC 1 Watt/ Orifice 0.8/1.1 mm	
S22U4C-DS-24-0	Spade
S22U4C-DS-24-2	Flying Leads
S22U4C-DS-24-3	Line Connector
S22U4C-DS-24-4	90° Connector

4-Way 5 Port 3 Position Double Solenoid - Exhaust Center

Part Number	Connection
110 AC 2.8 VA/ Orifice 1.1/1.1 mm	
S22U4E-DS-11-0	Spade
S22U4E-DS-11-2	Flying Leads
S22U4E-DS-11-3	Line Connector
S22U4E-DS-11-4	90° Connector
12 DC 1 Watt/ Orifice 0.8/1.1 mm	
S22U4E-DS-12-0	Spade
S22U4E-DS-12-2	Flying Leads
S22U4E-DS-12-3	Line Connector
S22U4E-DS-12-4	90° Connector
24 DC 1 Watt/ Orifice 0.8/1.1 mm	
S22U4E-DS-24-0	Spade
S22U4E-DS-24-2	Flying Leads
S22U4E-DS-24-3	Line Connector
S22U4E-DS-24-4	90° Connector

Closed Center: All ports are blocked. Caution: vent working lines before disconnection

Exhaust Center: Input ports are blocked, cylinder ports are open to exhaust

PneuTef™

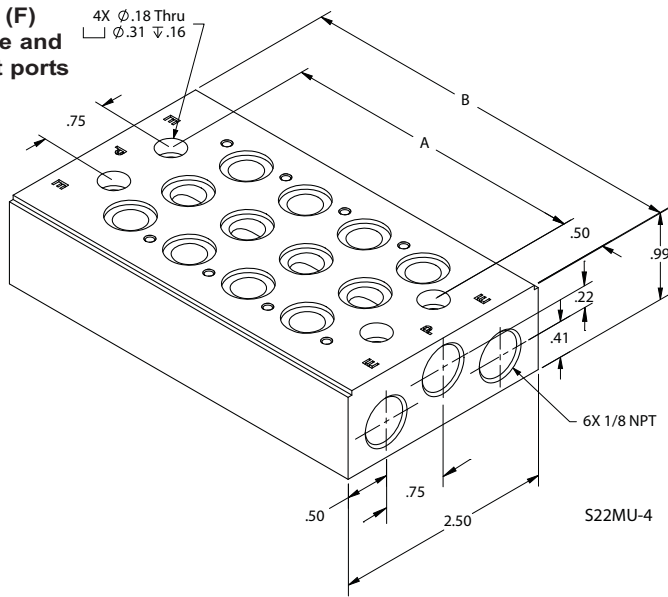
Lightweight aluminum spools and thin profile seals enhance valve speed and ensure low breakaway. An exclusive PTFE impregnated surface results in a smooth, slippery finish extending product life.



**Can be used with
Lubricated and
Non-Lubricated Air**

"22" Series Manifold

Universal
1/8 NPT (F)
Pressure and
Exhaust ports



Product Information

"22" Series Manifolds

Part Number	Stations	A	B
S22MU-2	2	1.91	2.91
S22MU-4	4	3.46	4.46
S22MU-6	6	5.01	6.01
S22MU-8	8	6.56	7.56
S22MU-10	10	8.11	9.11

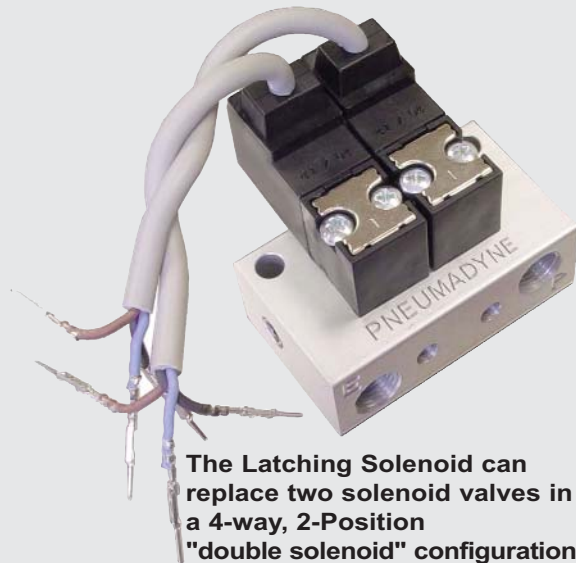
measurements in inches

"22" Series Accessories

S22M-CP	Cover Plate
SMMC-300	Plug-in Cable 300 mm
SMMC-500	Plug-in Cable 500 mm
SMMC-1000	Plug-in Cable 1000 mm
SMM-DIN	DIN Connector
SMM-MDIN	Molded DIN Cable 3 M

Unique to
Pneumadyne's "22"
Series
Latching Solenoid
Operator

- Single electrical connection
- Space saving
- 3-wire system-relay not required
- Momentary pulse to energize and de-energize
- Power savings- do not need to maintain electrical connection
- Ideal for applications where power is limited or coil heating is unwanted



The Latching Solenoid can replace two solenoid valves in a 4-way, 2-Position "double solenoid" configuration



Cover Plate- (S22M-CP Sold Separately) includes mounting screws.

Ordering Information

- To order standard product refer to Product Information listing.
- Cover Plates available for use with manifolds.
- Mounting screws provided.
- 300 mm Plug-in cable included with valves featuring the Line or 90° Connector.