

Features

- 2-Way & 3-Way
- Normally Closed or Normally Open
- PneuTef™ plated for longer life
- Lubricated and non-lubricated air
- High flow rate
- Compact size

Pilot Operated Cartridge Valves

Pneumadyne's new Pilot Operated Cartridge Valves offer a high flow rate in a compact package. Designed for integration in a pneumatic circuit's valve block, these .250 inch and .500 inch orifice valves can be used as either a 2-Way or 3-Way function (see plumbing options).

Our exclusive PneuTef™ plating process results in a smooth, slippery finish which extends product life and also allows the valves to be used in both lubricated and non-lubricated air applications.



Pilot Operated Cartridge Valves

Performance Data

Temperature Range	Operating Pressure	Media
-20° to 160° F	0 to 125 psi	Air

Plumbing Options

Function	Port 1	Port 2	Port 3
3-Way N.C.	Input	Output	Exhaust
3-Way N.O.	Exhaust	Output	Input
2-Way N.C.	Input	Output	omit
2-Way N.O.	omit	Output	Input

Pilot Pressure Ratio

Part No.	Input	Pilot
C250	0-40 psi	30 psi min
	40 psi+	80% of Input
C500	0-30 psi	20 psi min
	30 psi +	70% of Input

Materials

Body: Aluminum/PneuTef™ plated
 Spool: Aluminum/Anodized
 Seals: Buna-N
 Spring: Stainless Steel

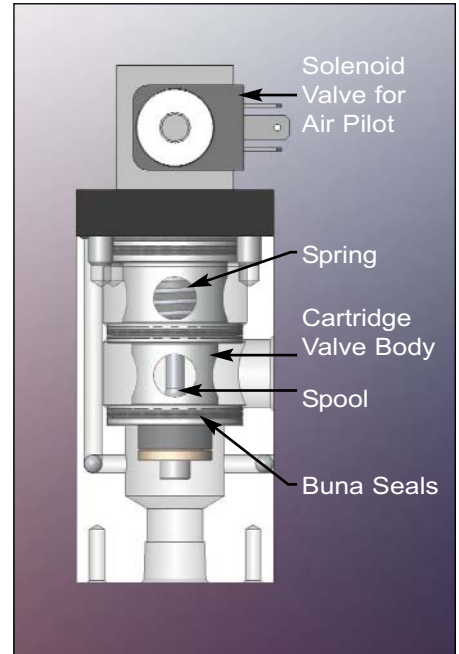
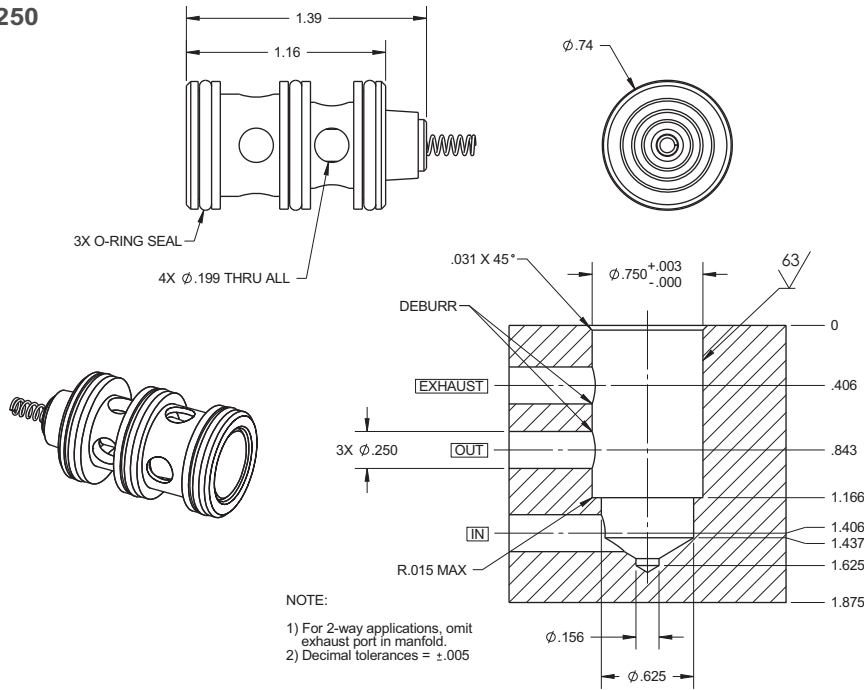
Pilot Operated Cartridge Valves

Product Information

Pilot Operated Cartridge Valves

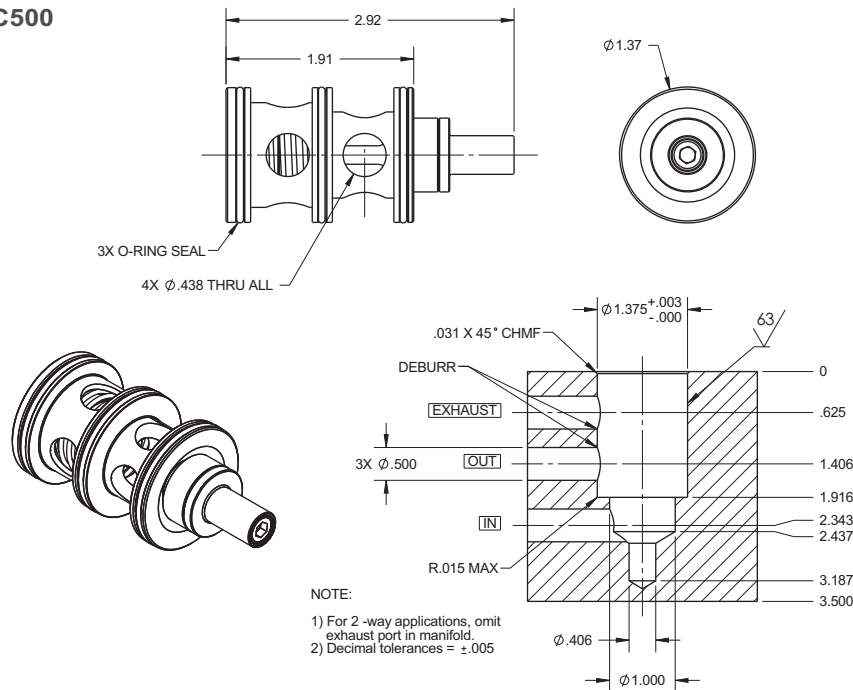
Part Number	Description
C250	Cartridge Valve, .250 in. Orifice
C500	Cartridge Valve, .500 in. Orifice

C250



Pilot Operated Cartridge Valve shown installed in a custom valve block manufactured by Pneumadyne.

C500



Ordering Information

- To order standard product refer to Product Information listing.
- Contact Pneumadyne for custom valve blocks or manifolds for use with the Cartridge Valves.
- Cavity drawings available, contact factory.

● When design makes a dimension critical- contact factory for confirmation. All dimensions shown subject to change without notice.