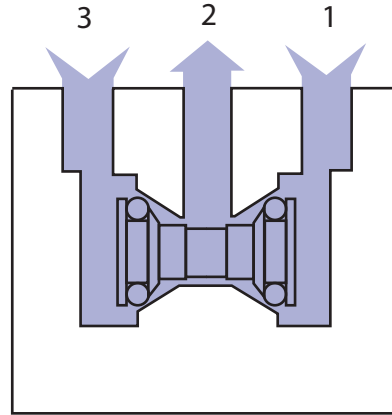


Cross Section

Cross section shown intended to show flow paths only. Not representative of all valve configurations offered by Pneumadyne

Rely on Pneumadyne's fluid power expertise, design experience and manufacturing capabilities when developing your fluid handling applications



AND Valve

Function

When a signal is supplied to port 1 “AND” port 3 the output flows from port 2. The output flow will always be the lower of the two pressures. Both input pressures are required to open the valve (loss of input will cancel the output signal).