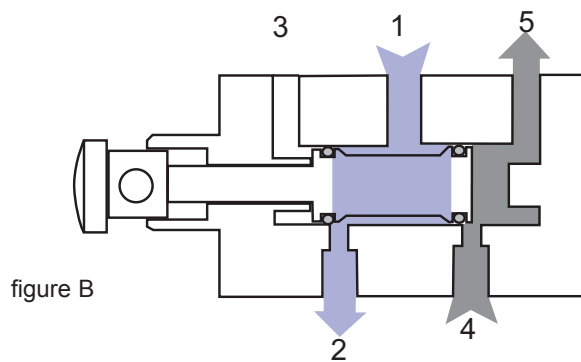
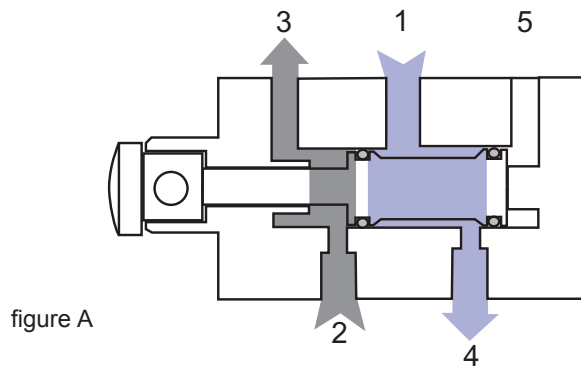


## Cross Section

Cross section shown intended to show flow paths only. Not representative of all valve configurations offered by Pneumadyne

*Rely on Pneumadyne's fluid power expertise, design experience and manufacturing capabilities when developing your fluid handling applications*



## 4-Way Valve

### Function

In the actuated position (figure A) flow is directed through port 1 to port 4 as port 2 exhausts to atmosphere through port 3. In the un-actuated position, (figure B) the spool is reversed and the flow is directed through port 1 to 2 as port 4 exhausts to atmosphere through port 5.