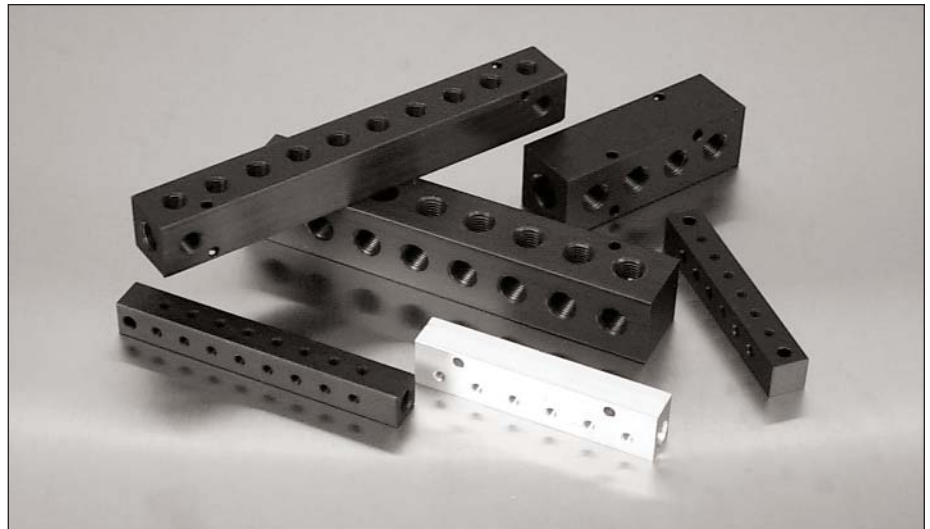


**Features**

- 2 to 10 stations
- Inline Manifolds, 90° Manifolds, Dual Air, Junction Blocks and Terminal Blocks
- Custom designs
- 1.5" center-to-center spacing available
- Variety of port sizes



**Multiple Connection Manifolds**

Manifolds provide a convenient junction point for the distribution of fluids or gases. Simply thread fittings into the ports to produce an organized method of supplying multiple lines from a single source.

Our aluminum manifolds go through a controlled oxidation process called anodizing which produces a non-conductive coating that provides corrosion and wear resistance. A black dye is added to the anodize solution to create our signature appearance however there are over thirty colors of anodic coatings available.

**Performance Data**

**Operating Pressure**

1000 psi non-shock- air, 3000 psi non-shock- hydraulic

**Port Options**

| Definition | Options   |
|------------|---|
| Input      | <ul style="list-style-type: none"> <li style="width: 50%;">● 1/8 NPT (F)</li> <li style="width: 50%;">● 3/4 NPT (F)</li> <li style="width: 50%;">● 1/4 NPT (F)</li> <li style="width: 50%;">● 1/2 NPT (F)</li> <li style="width: 50%;">● 3/8 NPT (F)</li> </ul> |
| Output     | <ul style="list-style-type: none"> <li style="width: 50%;">● 10-32 (F)</li> <li style="width: 50%;">● 1/4 NPT (F)</li> <li style="width: 50%;">● 1/8 NPT (F)</li> <li style="width: 50%;">● 3/8 NPT (F)</li> </ul>  |

**Materials**

Brass, Aluminum/ Black Anodize, 303 Stainless Steel, Polypropylene, Nylon

### Product Number Diagram Manifolds

**M 20 - 1 25 - 5 - 90 W**

**Product Line**

- DA= Dual Air
- JB= Junction Block
- M= Manifold
- MS= Manifold with porting on *two* sides
- MT= Manifold with porting on *three* sides
- TB= Terminal Block

**Input**

- 32= 10-32 (F)
- 10= 1/4 NPT (F)
- 20= 3/8 NPT (F)
- 30= 1/2 NPT (F)
- 35= 3/4 NPT (F)

**Output**

- 125= 1/8 NPT (F)
- 250= 1/4 NPT (F)
- 375= 3/8 NPT (F)

**Suffix**

- 90= Output ports at 90°/1" standard spacing
- 90W= Output ports at 90°/1.5" spacing
- BRS= Material: Brass
- SS= Material: 303 Stainless Steel
- PPN= Material: Polypropylene Natural
- NYN= Material: Nylon Natural

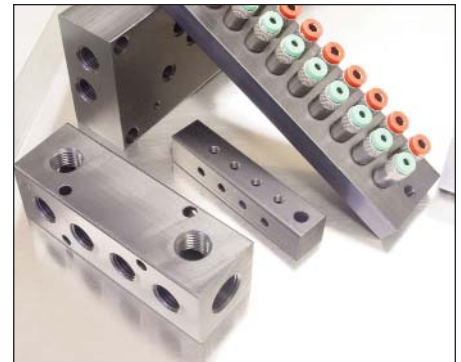
**Number of Stations**

- (Digit indicates number of stations)
- #= Select 1-10 /1" standard spacing
- #W= Select 1-10 /1.5" output spacing eg: 5W

**Please use Product Information Listings to verify part number- not all configurations are possible**

**Example:**

Manifold with 3/8 Input and 1/8 Output Ports at 90° with 1.5" spacing



Numerous styles and configurations available- customs welcome

***Pneumadyne has been an innovator in the design and manufacture of pneumatic and hydraulic manifolds since 1976***

### Performance Data

| Material                   | Operating Pressure at 72°F                           | Temp Range      | Corrosion Resistance | Chemical Resistance | Durability | For Use With                                      |
|----------------------------|--|-----------------|----------------------|---------------------|------------|---|
| <b>Aluminum 6061</b>       | 1000 psi non-shock air, 3000 psi non-shock hydraulic | -10° to 200° F  | Good                 | Fair                | Good       | Air, water, natural gas, hydraulic oils, gasoline |
| <b>Brass</b>               | 2000 psi   | -65° to 250° F  | Good                 | Good                | Excellent  | Air, water, hydraulic oils                        |
| <b>Stainless Steel 303</b> | 3500 psi   | -100° to 500° F | Excellent            | Good                | Excellent  | Air, water, hydraulic oils                        |
| <b>Polypropylene</b>       | 150 psi  | 32° to 230° F   | Fair                 | Poor                | Fair       | Air, water  |
| <b>Nylon</b>               | 200 psi  | -60° to 200° F  | Good                 | Fair                | Fair       | Air, water  |

### Ordering Information

- To order standard product use part number listing.
- 1/8" and 5/32" push-to-connect fittings are available for use with standard 10-32 manifolds.
- To order New Material Manifolds replace the "\*" in the part number listing with the desired material abbreviation.  
 SS= 303 Stainless Steel  
 BRS= Brass  
 NYN= Nylon  
 PPN= Polypropylene



- 10-32 output ports
- 3 Porting configurations
- Convenient junction point
- Multiple branches
- One input

### Inline Manifolds

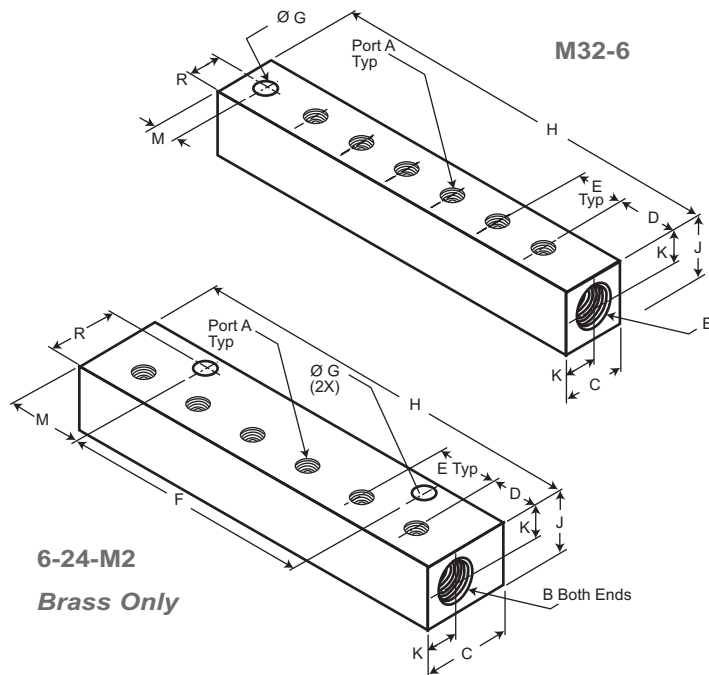
#### Port Options

##### Input

- 1/8 NPT (F)

##### Output

- 10-32 UNF(F)

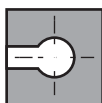


### Port Configuration

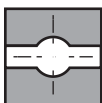
#### Cross Section

##### Part Number

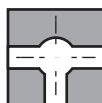
##### M32-\*



##### MS32-\*



##### MT32-\*



### Product Information

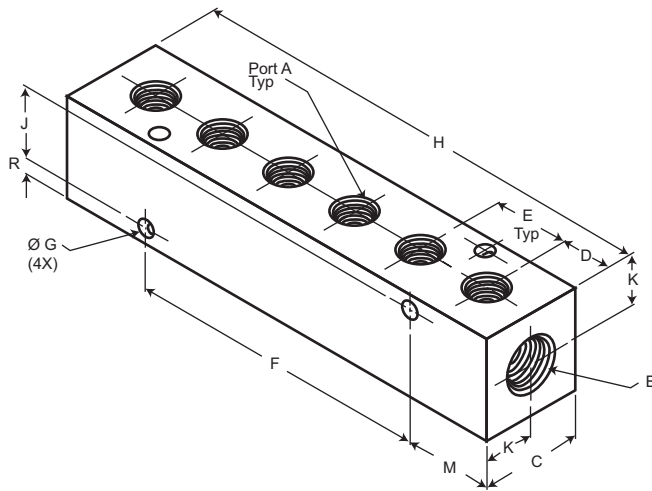
1/8 NPT (F) Input x 10-32 (F) Output

| Part Number            | No. of Stations | A     | NPT B | C    | D   | E   | F    | G   | H    | J   | K   | M   | R   |
|------------------------|-----------------|-------|-------|------|-----|-----|------|-----|------|-----|-----|-----|-----|
| 6-24-M2                | 6               | 10-32 | 1/8   | .88  | .44 | .63 | 2.50 | .20 | 4.00 | .63 | .32 | .75 | .72 |
| Porting on one side    |                 |       |       |      |     |     |      |     |      |     |     |     |     |
| M32-4                  | 4               | 10-32 | 1/8   | .625 | .75 | .50 | -    | .22 | 3.00 | .62 | .31 | .25 | .31 |
| M32-6                  | 6               | 10-32 | 1/8   | .625 | .75 | .50 | -    | .22 | 4.00 | .62 | .31 | .25 | .31 |
| M32-8                  | 8               | 10-32 | 1/8   | .625 | .75 | .50 | -    | .22 | 5.00 | .62 | .31 | .25 | .31 |
| M32-10                 | 10              | 10-32 | 1/8   | .625 | .75 | .50 | -    | .22 | 6.00 | .62 | .31 | .25 | .31 |
| Porting on two sides   |                 |       |       |      |     |     |      |     |      |     |     |     |     |
| MS32-4                 | 8               | 10-32 | 1/8   | .625 | .75 | .50 | -    | .22 | 3.00 | .62 | .31 | .25 | .31 |
| MS32-6                 | 12              | 10-32 | 1/8   | .625 | .75 | .50 | -    | .22 | 4.00 | .62 | .31 | .25 | .31 |
| MS32-8                 | 16              | 10-32 | 1/8   | .625 | .75 | .50 | -    | .22 | 5.00 | .62 | .31 | .25 | .31 |
| MS32-10                | 20              | 10-32 | 1/8   | .625 | .75 | .50 | -    | .22 | 6.00 | .62 | .31 | .25 | .31 |
| Porting on three sides |                 |       |       |      |     |     |      |     |      |     |     |     |     |
| MT32-4                 | 12              | 10-32 | 1/8   | .625 | .75 | .50 | -    | .22 | 3.00 | .62 | .31 | .25 | .31 |
| MT32-6                 | 18              | 10-32 | 1/8   | .625 | .75 | .50 | -    | .22 | 4.00 | .62 | .31 | .25 | .31 |
| MT32-8                 | 24              | 10-32 | 1/8   | .625 | .75 | .50 | -    | .22 | 5.00 | .62 | .31 | .25 | .31 |
| MT32-10                | 30              | 10-32 | 1/8   | .625 | .75 | .50 | -    | .22 | 6.00 | .62 | .31 | .25 | .31 |

All measurements are given in inches unless otherwise specified.

- When design makes a dimension critical- contact factory for confirmation. All dimensions shown subject to change without notice.

## Inline Manifolds



### Port Options

#### Input

- 1/4 NPT (F)
- 3/8 NPT (F)

#### Output

- 1/8 NPT (F)



- Convenient junction point
- Multiple branches
- Two input ports
- Aluminum with black anodizing for corrosion resistance and appearance
- Mounting versatility

## Product Information

### 1/4 NPT (F) Input x 1/8 NPT (F) Output

| Part Number | No. of Stations | NPT A | NPT B | C    | D   | E   | F    | G   | H    | J   | K   | M   | R   |
|-------------|-----------------|-------|-------|------|-----|-----|------|-----|------|-----|-----|-----|-----|
| M10-125-2   | 2               | 1/8   | 1/4   | 1.00 | .50 | .75 | N/A  | .17 | 1.75 | .70 | .50 | .88 | .15 |
| M10-125-3   | 3               | 1/8   | 1/4   | 1.00 | .50 | .75 | .75  | .17 | 2.50 | .70 | .50 | .88 | .15 |
| M10-125-4   | 4               | 1/8   | 1/4   | 1.00 | .50 | .75 | 1.50 | .17 | 3.25 | .70 | .50 | .88 | .15 |
| M10-125-5   | 5               | 1/8   | 1/4   | 1.00 | .50 | .75 | 2.25 | .17 | 4.00 | .70 | .50 | .88 | .15 |
| M10-125-6   | 6               | 1/8   | 1/4   | 1.00 | .50 | .75 | 3.00 | .17 | 4.75 | .70 | .50 | .88 | .15 |
| M10-125-7   | 7               | 1/8   | 1/4   | 1.00 | .50 | .75 | 3.75 | .17 | 5.50 | .70 | .50 | .88 | .15 |
| M10-125-8   | 8               | 1/8   | 1/4   | 1.00 | .50 | .75 | 4.50 | .17 | 6.25 | .70 | .50 | .88 | .15 |
| M10-125-9   | 9               | 1/8   | 1/4   | 1.00 | .50 | .75 | 5.25 | .17 | 7.00 | .70 | .50 | .88 | .15 |
| M10-125-10  | 10              | 1/8   | 1/4   | 1.00 | .50 | .75 | 6.00 | .17 | 7.75 | .70 | .50 | .88 | .15 |

### 3/8 NPT (F) Input x 1/8 NPT (F) Output

| Part Number | No. of Stations | NPT A | NPT B | C    | D   | E   | F    | G   | H    | J   | K   | M   | R   |
|-------------|-----------------|-------|-------|------|-----|-----|------|-----|------|-----|-----|-----|-----|
| M20-125-2   | 2               | 1/8   | 3/8   | 1.25 | .50 | .75 | 3.00 | .20 | 1.75 | .89 | .63 | .88 | .18 |
| M20-125-3   | 3               | 1/8   | 3/8   | 1.25 | .50 | .75 | 3.00 | .20 | 2.50 | .89 | .63 | .88 | .18 |
| M20-125-4   | 4               | 1/8   | 3/8   | 1.25 | .50 | .75 | 1.50 | .20 | 3.25 | .89 | .63 | .88 | .18 |
| M20-125-5   | 5               | 1/8   | 3/8   | 1.25 | .50 | .75 | 3.00 | .20 | 4.00 | .89 | .63 | .88 | .18 |
| M20-125-6   | 6               | 1/8   | 3/8   | 1.25 | .50 | .75 | 3.00 | .20 | 4.75 | .89 | .63 | .88 | .18 |
| M20-125-7   | 7               | 1/8   | 3/8   | 1.25 | .50 | .75 | 3.00 | .20 | 5.50 | .89 | .63 | .88 | .18 |
| M20-125-8   | 8               | 1/8   | 3/8   | 1.25 | .50 | .75 | 4.50 | .20 | 6.25 | .89 | .63 | .88 | .18 |
| M20-125-9   | 9               | 1/8   | 3/8   | 1.25 | .50 | .75 | 3.00 | .20 | 7.00 | .89 | .63 | .88 | .18 |
| M20-125-10  | 10              | 1/8   | 3/8   | 1.25 | .50 | .75 | 6.00 | .20 | 7.75 | .89 | .63 | .88 | .18 |

- Measurements in inches

- When design makes a dimension critical- contact factory for confirmation. All dimensions shown subject to change without notice.

**Push-to-Connect fittings (sold separately) simplify tube installation**



Pneumadyne offers a wide selection of pneumatic components ideal for use on our multiple connection manifolds

### Inline Manifolds

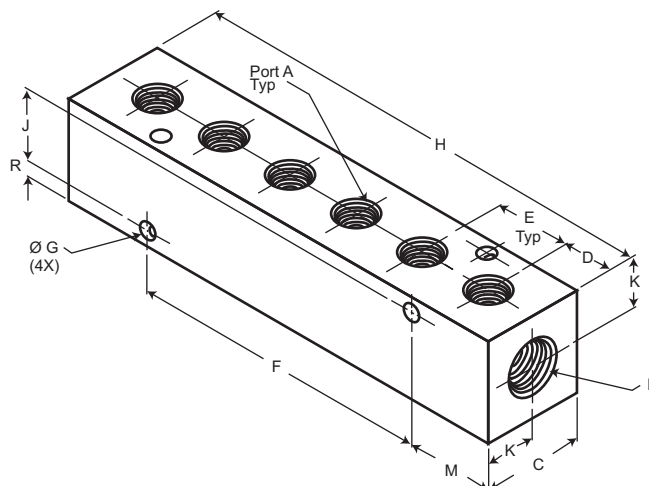
#### Port Options

##### Input

- 3/8 NPT (F)

##### Output

- 1/4 NPT (F)
- 3/8 NPT (F)



### Product Information

#### 3/8 NPT (F) Input x 1/4 NPT (F) Output

| Part Number | *  | NPT |     | C    | D   | E   | F    | G   | H    | J   | K   | M    | R   |
|-------------|----|-----|-----|------|-----|-----|------|-----|------|-----|-----|------|-----|
|             |    | A   | B   |      |     |     |      |     |      |     |     |      |     |
| M20-250-2   | 2  | 1/4 | 3/8 | 1.25 | .63 | .88 | N/A  | .20 | 2.13 | .89 | .63 | 1.06 | .18 |
| M20-250-3   | 3  | 1/4 | 3/8 | 1.25 | .63 | .88 | .88  | .20 | 3.00 | .89 | .63 | 1.06 | .18 |
| M20-250-4   | 4  | 1/4 | 3/8 | 1.25 | .63 | .88 | 1.75 | .20 | 3.88 | .89 | .63 | 1.06 | .18 |
| M20-250-5   | 5  | 1/4 | 3/8 | 1.25 | .63 | .88 | 2.63 | .20 | 4.75 | .89 | .63 | 1.06 | .18 |
| M20-250-6   | 6  | 1/4 | 3/8 | 1.25 | .63 | .88 | 3.50 | .20 | 5.63 | .89 | .63 | 1.06 | .18 |
| M20-250-7   | 7  | 1/4 | 3/8 | 1.25 | .63 | .88 | 4.38 | .20 | 6.50 | .89 | .63 | 1.06 | .18 |
| M20-250-8   | 8  | 1/4 | 3/8 | 1.25 | .63 | .88 | 5.25 | .20 | 7.38 | .89 | .63 | 1.06 | .18 |
| M20-250-9   | 9  | 1/4 | 3/8 | 1.25 | .63 | .88 | 6.13 | .20 | 8.25 | .89 | .63 | 1.06 | .18 |
| M20-250-10  | 10 | 1/4 | 3/8 | 1.25 | .63 | .88 | 7.00 | .20 | 9.13 | .89 | .63 | 1.06 | .18 |

#### 3/8 NPT (F) Input x 3/8 NPT (F) Output

| Part Number | *  | NPT |     | C    | D    | E    | F    | G   | H     | J   | K   | M    | R   |
|-------------|----|-----|-----|------|------|------|------|-----|-------|-----|-----|------|-----|
|             |    | A   | B   |      |      |      |      |     |       |     |     |      |     |
| M20-375-2   | 2  | 3/8 | 3/8 | 1.25 | 1.00 | 1.13 | N/A  | .20 | 3.13  | .89 | .63 | 1.56 | .18 |
| M20-375-3   | 3  | 3/8 | 3/8 | 1.25 | 1.00 | 1.13 | 1.13 | .20 | 4.25  | .89 | .63 | 1.56 | .18 |
| M20-375-4   | 4  | 3/8 | 3/8 | 1.25 | 1.00 | 1.13 | 2.25 | .20 | 5.38  | .89 | .63 | 1.56 | .18 |
| M20-375-5   | 5  | 3/8 | 3/8 | 1.25 | 1.00 | 1.13 | 3.38 | .20 | 6.50  | .89 | .63 | 1.56 | .18 |
| M20-375-6   | 6  | 3/8 | 3/8 | 1.25 | 1.00 | 1.13 | 4.50 | .20 | 7.63  | .89 | .63 | 1.56 | .18 |
| M20-375-7   | 7  | 3/8 | 3/8 | 1.25 | 1.00 | 1.13 | 5.63 | .20 | 8.75  | .89 | .63 | 1.56 | .18 |
| M20-375-8   | 8  | 3/8 | 3/8 | 1.25 | 1.00 | 1.13 | 6.75 | .20 | 9.88  | .89 | .63 | 1.56 | .18 |
| M20-375-9   | 9  | 3/8 | 3/8 | 1.25 | 1.00 | 1.13 | 7.88 | .20 | 11.00 | .89 | .63 | 1.56 | .18 |
| M20-375-10  | 10 | 3/8 | 3/8 | 1.25 | 1.00 | 1.13 | 9.00 | .20 | 12.13 | .89 | .63 | 1.56 | .18 |



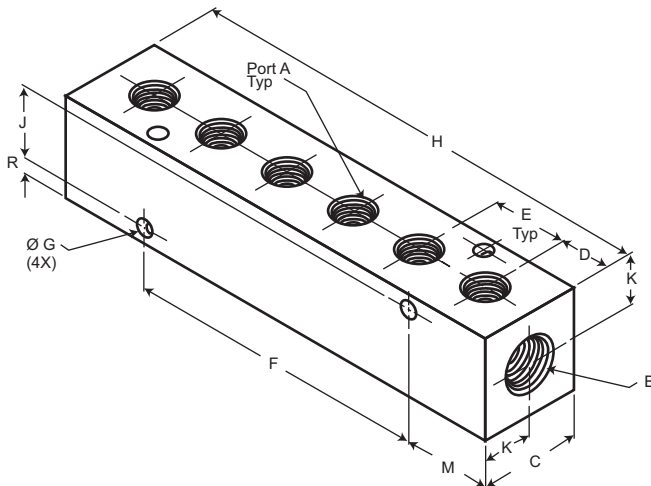
**System 11 is a unique valve consolidation method using custom manifolds that house components for use only on System 11 manifolds**  
[\(Click for additional information\)](#)

● When design makes a dimension critical- contact factory for confirmation. All dimensions shown subject to change without notice.

\* Number of stations

● Measurements in inches

**Inline Manifolds**



**Port Options**

**Input**

- 1/2 NPT (F)

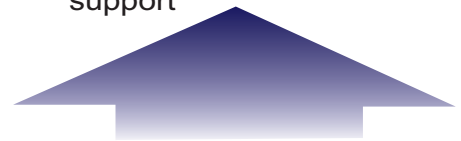
**Output**

- 1/4 NPT (F)
- 3/8 NPT (F)

*Bookmark*  
**pneumadyne.com**

for  
standard and new product  
information and useful  
links

- Download 3D CAD drawings
- View detailed product information
- See 'What's New'
- Review industry related solutions
- Request technical support



**Product Information**

*1/2 NPT (F) Input x 1/4 NPT (F) Output*

| Part Number | *  | NPT |     | C    | D   | E    | F    | G   | H     | J    | K   | M    | R   |
|-------------|----|-----|-----|------|-----|------|------|-----|-------|------|-----|------|-----|
|             |    | A   | B   |      |     |      |      |     |       |      |     |      |     |
| M30-250-2   | 2  | 1/4 | 1/2 | 1.50 | .88 | 1.00 | N/A  | .20 | 2.75  | 1.12 | .75 | 1.38 | .19 |
| M30-250-3   | 3  | 1/4 | 1/2 | 1.50 | .88 | 1.00 | 1.00 | .20 | 3.75  | 1.12 | .75 | 1.38 | .19 |
| M30-250-4   | 4  | 1/4 | 1/2 | 1.50 | .88 | 1.00 | 2.00 | .20 | 4.75  | 1.12 | .75 | 1.38 | .19 |
| M30-250-5   | 5  | 1/4 | 1/2 | 1.50 | .88 | 1.00 | 3.00 | .20 | 5.75  | 1.12 | .75 | 1.38 | .19 |
| M30-250-6   | 6  | 1/4 | 1/2 | 1.50 | .88 | 1.00 | 4.00 | .20 | 6.75  | 1.12 | .75 | 1.38 | .19 |
| M30-250-7   | 7  | 1/4 | 1/2 | 1.50 | .88 | 1.00 | 5.00 | .20 | 7.75  | 1.12 | .75 | 1.38 | .19 |
| M30-250-8   | 8  | 1/4 | 1/2 | 1.50 | .88 | 1.00 | 6.00 | .20 | 8.75  | 1.12 | .75 | 1.38 | .19 |
| M30-250-9   | 9  | 1/4 | 1/2 | 1.50 | .88 | 1.00 | 7.00 | .20 | 9.75  | 1.12 | .75 | 1.38 | .19 |
| M30-250-10  | 10 | 1/4 | 1/2 | 1.50 | .88 | 1.00 | 8.00 | .20 | 10.75 | 1.12 | .75 | 1.38 | .19 |

*1/2 NPT (F) Input x 3/8 NPT (F) Output*

| Part Number | *  | NPT |     | C    | D   | E    | F    | G   | H     | J    | K   | M    | R   |
|-------------|----|-----|-----|------|-----|------|------|-----|-------|------|-----|------|-----|
|             |    | A   | B   |      |     |      |      |     |       |      |     |      |     |
| M30-375-2   | 2  | 3/8 | 1/2 | 1.50 | .88 | 1.00 | N/A  | .20 | 2.75  | 1.12 | .75 | 1.38 | .19 |
| M30-375-3   | 3  | 3/8 | 1/2 | 1.50 | .88 | 1.00 | 1.00 | .20 | 3.75  | 1.12 | .75 | 1.38 | .19 |
| M30-375-4   | 4  | 3/8 | 1/2 | 1.50 | .88 | 1.00 | 2.00 | .20 | 4.75  | 1.12 | .75 | 1.38 | .19 |
| M30-375-5   | 5  | 3/8 | 1/2 | 1.50 | .88 | 1.00 | 3.00 | .20 | 5.75  | 1.12 | .75 | 1.38 | .19 |
| M30-375-6   | 6  | 3/8 | 1/2 | 1.50 | .88 | 1.00 | 4.00 | .20 | 6.75  | 1.12 | .75 | 1.38 | .19 |
| M30-375-7   | 7  | 3/8 | 1/2 | 1.50 | .88 | 1.00 | 5.00 | .20 | 7.75  | 1.12 | .75 | 1.38 | .19 |
| M30-375-8   | 8  | 3/8 | 1/2 | 1.50 | .88 | 1.00 | 6.00 | .20 | 8.75  | 1.12 | .75 | 1.38 | .19 |
| M30-375-9   | 9  | 3/8 | 1/2 | 1.50 | .88 | 1.00 | 7.00 | .20 | 9.75  | 1.12 | .75 | 1.38 | .19 |
| M30-375-10  | 10 | 3/8 | 1/2 | 1.50 | .88 | 1.00 | 8.00 | .20 | 10.75 | 1.12 | .75 | 1.38 | .19 |

\* Number of stations

- Measurements in inches

*Pneumadyne has been an innovator in the design and manufacture of manifolds since 1976*

- When design makes a dimension critical- contact factory for confirmation. All dimensions shown subject to change without notice.



Stainless steel manifolds are ideal for use in highly corrosive environments

## Inline Manifolds

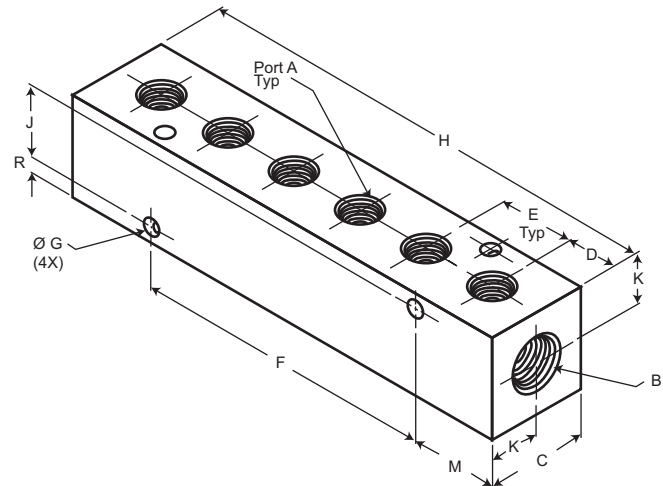
### Port Options

#### Input

- 3/4 NPT (F)

#### Output

- 1/4 NPT (F)
- 3/8 NPT (F)



## Product Information

### 3/4 NPT (F) Input x 1/4 NPT (F) Output

| Part Number | *  | NPT |     | C    | D    | E    | F    | G   | H     | J    | K   | M    | R   |
|-------------|----|-----|-----|------|------|------|------|-----|-------|------|-----|------|-----|
|             |    | A   | B   |      |      |      |      |     |       |      |     |      |     |
| M35-250-2   | 2  | 1/4 | 3/4 | 1.50 | 1.75 | 0.88 | 1.88 | .20 | 4.38  | 1.14 | .75 | 1.25 | .18 |
| M35-250-3   | 3  | 1/4 | 3/4 | 1.50 | 1.75 | 0.88 | 2.75 | .20 | 5.25  | 1.14 | .75 | 1.25 | .18 |
| M35-250-4   | 4  | 1/4 | 3/4 | 1.50 | 1.75 | 0.88 | 3.63 | .20 | 6.13  | 1.14 | .75 | 1.25 | .18 |
| M35-250-5   | 5  | 1/4 | 3/4 | 1.50 | 1.75 | 0.88 | 4.50 | .20 | 7.00  | 1.14 | .75 | 1.25 | .18 |
| M35-250-6   | 6  | 1/4 | 3/4 | 1.50 | 1.75 | 0.88 | 5.38 | .20 | 7.88  | 1.14 | .75 | 1.25 | .18 |
| M35-250-7   | 7  | 1/4 | 3/4 | 1.50 | 1.75 | 0.88 | 6.25 | .20 | 8.75  | 1.14 | .75 | 1.25 | .18 |
| M35-250-8   | 8  | 1/4 | 3/4 | 1.50 | 1.75 | 0.88 | 7.13 | .20 | 9.63  | 1.14 | .75 | 1.25 | .18 |
| M35-250-9   | 9  | 1/4 | 3/4 | 1.50 | 1.75 | 0.88 | 8.00 | .20 | 10.50 | 1.14 | .75 | 1.25 | .18 |
| M35-250-10  | 10 | 1/4 | 3/4 | 1.50 | 1.75 | 0.88 | 8.88 | .20 | 11.38 | 1.14 | .75 | 1.25 | .18 |

### 3/4 NPT (F) Input x 3/8 NPT (F) Output

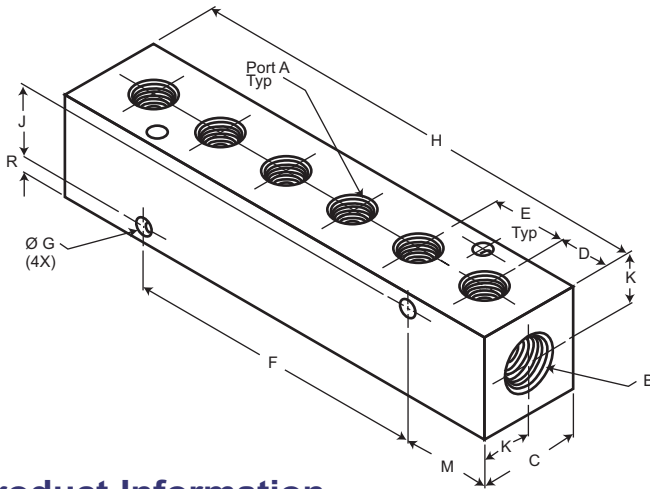
| Part Number | *  | NPT |     | C    | D    | E    | F     | G   | H     | J    | K   | M    | R   |
|-------------|----|-----|-----|------|------|------|-------|-----|-------|------|-----|------|-----|
|             |    | A   | B   |      |      |      |       |     |       |      |     |      |     |
| M35-375-2   | 2  | 3/8 | 3/4 | 1.50 | 1.75 | 1.13 | 2.13  | .20 | 4.63  | 1.14 | .75 | 1.25 | .18 |
| M35-375-3   | 3  | 3/8 | 3/4 | 1.50 | 1.75 | 1.13 | 3.25  | .20 | 5.75  | 1.14 | .75 | 1.25 | .18 |
| M35-375-4   | 4  | 3/8 | 3/4 | 1.50 | 1.75 | 1.13 | 4.38  | .20 | 6.88  | 1.14 | .75 | 1.25 | .18 |
| M35-375-5   | 5  | 3/8 | 3/4 | 1.50 | 1.75 | 1.13 | 5.50  | .20 | 8.00  | 1.14 | .75 | 1.25 | .18 |
| M35-375-6   | 6  | 3/8 | 3/4 | 1.50 | 1.75 | 1.13 | 6.63  | .20 | 9.13  | 1.14 | .75 | 1.25 | .18 |
| M35-375-7   | 7  | 3/8 | 3/4 | 1.50 | 1.75 | 1.13 | 7.75  | .20 | 10.25 | 1.14 | .75 | 1.25 | .18 |
| M35-375-8   | 8  | 3/8 | 3/4 | 1.50 | 1.75 | 1.13 | 8.88  | .20 | 11.38 | 1.14 | .75 | 1.25 | .18 |
| M35-375-9   | 9  | 3/8 | 3/4 | 1.50 | 1.75 | 1.13 | 10.00 | .20 | 12.50 | 1.14 | .75 | 1.25 | .18 |
| M35-375-10  | 10 | 3/8 | 3/4 | 1.50 | 1.75 | 0.88 | 11.13 | .20 | 13.63 | 1.14 | .75 | 1.25 | .18 |

\* Number of stations

● Measurements in inches

● When design makes a dimension critical- contact factory for confirmation. All dimensions shown subject to change without notice.

**Inline Manifolds-New Materials**



**Port Options**

**Input**

- 1/4 NPT (F)
- 3/8 NPT (F)

**Output**

- 1/8 NPT (F)
- 1/4 NPT (F)



- 2 to 10 stations
- Two input ports
- Convenient junction point
- Variety of port sizes

**Product Information**

*1/4 NPT (F) Input x 1/8 NPT (F) Output*

| Part Number  | No. of Stations | A   | NPT B | C    | D   | E   | F    | G   | H    | J   | K   | M   | R   |
|--------------|-----------------|-----|-------|------|-----|-----|------|-----|------|-----|-----|-----|-----|
| M10-125-2-*  | 2               | 1/8 | 1/4   | 1.00 | .50 | .75 | N/A  | .17 | 1.75 | .70 | .50 | .88 | .15 |
| M10-125-3-*  | 3               | 1/8 | 1/4   | 1.00 | .50 | .75 | .75  | .17 | 2.50 | .70 | .50 | .88 | .15 |
| M10-125-4-*  | 4               | 1/8 | 1/4   | 1.00 | .50 | .75 | 1.50 | .17 | 3.25 | .70 | .50 | .88 | .15 |
| M10-125-5-*  | 5               | 1/8 | 1/4   | 1.00 | .50 | .75 | 2.25 | .17 | 4.00 | .70 | .50 | .88 | .15 |
| M10-125-6-*  | 6               | 1/8 | 1/4   | 1.00 | .50 | .75 | 3.00 | .17 | 4.75 | .70 | .50 | .88 | .15 |
| M10-125-7-*  | 7               | 1/8 | 1/4   | 1.00 | .50 | .75 | 3.75 | .17 | 5.50 | .70 | .50 | .88 | .15 |
| M10-125-8-*  | 8               | 1/8 | 1/4   | 1.00 | .50 | .75 | 4.50 | .17 | 6.25 | .70 | .50 | .88 | .15 |
| M10-125-9-*  | 9               | 1/8 | 1/4   | 1.00 | .50 | .75 | 5.25 | .17 | 7.00 | .70 | .50 | .88 | .15 |
| M10-125-10-* | 10              | 1/8 | 1/4   | 1.00 | .50 | .75 | 6.00 | .17 | 7.75 | .70 | .50 | .88 | .15 |

*3/8 NPT (F) Input x 1/4 NPT (F) Output*

| Part Number  | *  | A   | NPT B | C    | D   | E   | F    | G   | H    | J   | K   | M    | R   |
|--------------|----|-----|-------|------|-----|-----|------|-----|------|-----|-----|------|-----|
| M20-250-2-*  | 2  | 1/4 | 3/8   | 1.25 | .63 | .88 | N/A  | .20 | 2.13 | .89 | .63 | 1.06 | .18 |
| M20-250-3-*  | 3  | 1/4 | 3/8   | 1.25 | .63 | .88 | .88  | .20 | 3.00 | .89 | .63 | 1.06 | .18 |
| M20-250-4-*  | 4  | 1/4 | 3/8   | 1.25 | .63 | .88 | 1.75 | .20 | 3.88 | .89 | .63 | 1.06 | .18 |
| M20-250-5-*  | 5  | 1/4 | 3/8   | 1.25 | .63 | .88 | 2.63 | .20 | 4.75 | .89 | .63 | 1.06 | .18 |
| M20-250-6-*  | 6  | 1/4 | 3/8   | 1.25 | .63 | .88 | 3.50 | .20 | 5.63 | .89 | .63 | 1.06 | .18 |
| M20-250-7-*  | 7  | 1/4 | 3/8   | 1.25 | .63 | .88 | 4.38 | .20 | 6.50 | .89 | .63 | 1.06 | .18 |
| M20-250-8-*  | 8  | 1/4 | 3/8   | 1.25 | .63 | .88 | 5.25 | .20 | 7.38 | .89 | .63 | 1.06 | .18 |
| M20-250-9-*  | 9  | 1/4 | 3/8   | 1.25 | .63 | .88 | 6.13 | .20 | 8.25 | .89 | .63 | 1.06 | .18 |
| M20-250-10-* | 10 | 1/4 | 3/8   | 1.25 | .63 | .88 | 7.00 | .20 | 9.13 | .89 | .63 | 1.06 | .18 |

\* Number of stations

● Measurements in inches

● When design makes a dimension critical- contact factory for confirmation. All dimensions shown subject to change without notice.

**New Manifold Material**

Pneumadyne's Inline Manifolds are now available in 303 Stainless Steel, Brass, Polypropylene and Nylon. The Brass and Stainless Steel manifolds are extremely durable and offered for use with air, water and hydraulic oils. Stainless Steel is also ideal for highly corrosive environments. Choose Polypropylene or Nylon when using air, water or other compatible media in lower pressure applications.

Two to 10 station manifolds are available with 1/4 or 3/8 NPT (F) input ports and 1/8 or 1/4 NPT (F) output ports. Simply thread fittings into the ports to produce an organized method of supplying multiple lines from a single source.

**Ordering Information**

● To order New Material Manifolds replace the "\*" in the Product Information listing with the desired material abbreviation.

SS= 303 Stainless Steel

BRS= Brass

NYN= Nylon

PPN= Polypropylene





- Output port spacing is 1.5" center-to-center
- 2 to 10 stations
- Mounting versatility

**Inline Manifolds- 1.5" Spacing**

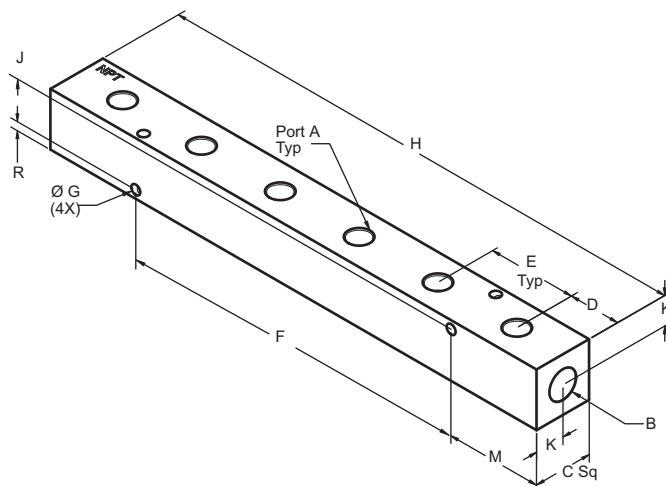
**Port Options**

**Input**

- 1/4 NPT (F)
- 3/8 NPT (F)
- 1/2 NPT (F)

**Output**

- 1/8 NPT (F)
- 1/4 NPT (F)
- 3/8 NPT (F)



**Product Information**

*1/4 NPT (F) Input x 1/8 NPT (F) Output*

| Part Number | *  | NPT |     | C    | D   | E    | F     | G   | H     | J   | K   | M    | R   |
|-------------|----|-----|-----|------|-----|------|-------|-----|-------|-----|-----|------|-----|
|             |    | A   | B   |      |     |      |       |     |       |     |     |      |     |
| M10-125-2W  | 2  | 1/8 | 1/4 | 1.00 | .88 | 1.50 | N/A   | .17 | 3.25  | .70 | .50 | 1.63 | .15 |
| M10-125-3W  | 3  | 1/8 | 1/4 | 1.00 | .88 | 1.50 | 1.50  | .17 | 4.75  | .70 | .50 | 1.63 | .15 |
| M10-125-4W  | 4  | 1/8 | 1/4 | 1.00 | .88 | 1.50 | 3.00  | .17 | 6.25  | .70 | .50 | 1.63 | .15 |
| M10-125-5W  | 5  | 1/8 | 1/4 | 1.00 | .88 | 1.50 | 4.50  | .17 | 7.75  | .70 | .50 | 1.63 | .15 |
| M10-125-6W  | 6  | 1/8 | 1/4 | 1.00 | .88 | 1.50 | 6.00  | .17 | 9.25  | .70 | .50 | 1.63 | .15 |
| M10-125-7W  | 7  | 1/8 | 1/4 | 1.00 | .88 | 1.50 | 7.50  | .17 | 10.75 | .70 | .50 | 1.63 | .15 |
| M10-125-8W  | 8  | 1/8 | 1/4 | 1.00 | .88 | 1.50 | 9.00  | .17 | 12.25 | .70 | .50 | 1.63 | .15 |
| M10-125-9W  | 9  | 1/8 | 1/4 | 1.00 | .88 | 1.50 | 1.50  | .17 | 13.75 | .70 | .50 | 1.63 | .15 |
| M10-125-10W | 10 | 1/8 | 1/4 | 1.00 | .88 | 1.50 | 12.00 | .17 | 15.25 | .70 | .50 | 1.63 | .15 |

*3/8 NPT (F) Input x 1/8 NPT (F) Output*

| Part Number | *  | NPT |     | C    | D   | E    | F     | G   | H     | J   | K   | M    | R   |
|-------------|----|-----|-----|------|-----|------|-------|-----|-------|-----|-----|------|-----|
|             |    | A   | B   |      |     |      |       |     |       |     |     |      |     |
| M20-125-2W  | 2  | 1/8 | 3/8 | 1.25 | .88 | 1.50 | N/A   | .20 | 3.25  | .89 | .63 | 1.63 | .18 |
| M20-125-3W  | 3  | 1/8 | 3/8 | 1.25 | .88 | 1.50 | 1.50  | .20 | 4.75  | .89 | .63 | 1.63 | .18 |
| M20-125-4W  | 4  | 1/8 | 3/8 | 1.25 | .88 | 1.50 | 3.00  | .20 | 6.25  | .89 | .63 | 1.63 | .18 |
| M20-125-5W  | 5  | 1/8 | 3/8 | 1.25 | .88 | 1.50 | 4.50  | .20 | 7.75  | .89 | .63 | 1.63 | .18 |
| M20-125-6W  | 6  | 1/8 | 3/8 | 1.25 | .88 | 1.50 | 6.00  | .20 | 9.25  | .89 | .63 | 1.63 | .18 |
| M20-125-7W  | 7  | 1/8 | 3/8 | 1.25 | .88 | 1.50 | 7.50  | .20 | 10.75 | .89 | .63 | 1.63 | .18 |
| M20-125-8W  | 8  | 1/8 | 3/8 | 1.25 | .88 | 1.50 | 9.00  | .20 | 12.25 | .89 | .63 | 1.63 | .18 |
| M20-125-9W  | 9  | 1/8 | 3/8 | 1.25 | .88 | 1.50 | 1.50  | .20 | 13.75 | .89 | .63 | 1.63 | .18 |
| M20-125-10W | 10 | 1/8 | 3/8 | 1.25 | .88 | 1.50 | 12.00 | .20 | 15.25 | .89 | .63 | 1.63 | .18 |

\* Number of stations

- Measurements in inches

● When design makes a dimension critical- contact factory for confirmation. All dimensions shown subject to change without notice.

**ISO 9001:2008 certification demonstrates Pneumadyne's commitment to quality -Received in 2004-**

**Product Information *Inline Manifolds-1.5" Spacing***

*3/8 NPT (F) Input x 1/4 NPT (F) Output*

| Part Number | *  | NPT |     | C    | D   | E    | F     | G   | H     | J   | K   | M    | R   |
|-------------|----|-----|-----|------|-----|------|-------|-----|-------|-----|-----|------|-----|
|             |    | A   | B   |      |     |      |       |     |       |     |     |      |     |
| M20-250-2W  | 2  | 1/4 | 3/8 | 1.25 | .88 | 1.50 | N/A   | .20 | 3.25  | .89 | .63 | 1.63 | .18 |
| M20-250-3W  | 3  | 1/4 | 3/8 | 1.25 | .88 | 1.50 | 1.50  | .20 | 4.75  | .89 | .63 | 1.63 | .18 |
| M20-250-4W  | 4  | 1/4 | 3/8 | 1.25 | .88 | 1.50 | 3.00  | .20 | 6.25  | .89 | .63 | 1.63 | .18 |
| M20-250-5W  | 5  | 1/4 | 3/8 | 1.25 | .88 | 1.50 | 4.50  | .20 | 7.75  | .89 | .63 | 1.63 | .18 |
| M20-250-6W  | 6  | 1/4 | 3/8 | 1.25 | .88 | 1.50 | 6.00  | .20 | 9.25  | .89 | .63 | 1.63 | .18 |
| M20-250-7W  | 7  | 1/4 | 3/8 | 1.25 | .88 | 1.50 | 7.50  | .20 | 10.75 | .89 | .63 | 1.63 | .18 |
| M20-250-8W  | 8  | 1/4 | 3/8 | 1.25 | .88 | 1.50 | 9.00  | .20 | 12.25 | .89 | .63 | 1.63 | .18 |
| M20-250-9W  | 9  | 1/4 | 3/8 | 1.25 | .88 | 1.50 | 1.50  | .20 | 13.75 | .89 | .63 | 1.63 | .18 |
| M20-250-10W | 10 | 1/4 | 3/8 | 1.25 | .88 | 1.50 | 12.00 | .20 | 15.25 | .89 | .63 | 1.63 | .18 |

*1/2 NPT (F) Input x 1/4 NPT (F) Output*

| Part Number | *  | NPT |     | C    | D   | E    | F     | G   | H     | J    | K   | M    | R   |
|-------------|----|-----|-----|------|-----|------|-------|-----|-------|------|-----|------|-----|
|             |    | A   | B   |      |     |      |       |     |       |      |     |      |     |
| M30-250-2W  | 2  | 1/4 | 1/2 | 1.50 | .88 | 1.50 | N/A   | .20 | 3.25  | 1.12 | .75 | 1.63 | .19 |
| M30-250-3W  | 3  | 1/4 | 1/2 | 1.50 | .88 | 1.50 | 1.50  | .20 | 4.75  | 1.12 | .75 | 1.63 | .19 |
| M30-250-4W  | 4  | 1/4 | 1/2 | 1.50 | .88 | 1.50 | 3.00  | .20 | 6.25  | 1.12 | .75 | 1.63 | .19 |
| M30-250-5W  | 5  | 1/4 | 1/2 | 1.50 | .88 | 1.50 | 4.50  | .20 | 7.75  | 1.12 | .75 | 1.63 | .19 |
| M30-250-6W  | 6  | 1/4 | 1/2 | 1.50 | .88 | 1.50 | 6.00  | .20 | 9.25  | 1.12 | .75 | 1.63 | .19 |
| M30-250-7W  | 7  | 1/4 | 1/2 | 1.50 | .88 | 1.50 | 7.50  | .20 | 10.75 | 1.12 | .75 | 1.63 | .19 |
| M30-250-8W  | 8  | 1/4 | 1/2 | 1.50 | .88 | 1.50 | 9.00  | .20 | 12.25 | 1.12 | .75 | 1.63 | .19 |
| M30-250-9W  | 9  | 1/4 | 1/2 | 1.50 | .88 | 1.50 | 1.50  | .20 | 13.75 | 1.12 | .75 | 1.63 | .19 |
| M30-250-10W | 10 | 1/4 | 1/2 | 1.50 | .88 | 1.50 | 12.00 | .20 | 15.25 | 1.12 | .75 | 1.63 | .19 |

*1/2 NPT (F) Input x 3/8 NPT (F) Output*

| Part Number | *  | NPT |     | C    | D   | E    | F     | G   | H     | J    | K   | M    | R   |
|-------------|----|-----|-----|------|-----|------|-------|-----|-------|------|-----|------|-----|
|             |    | A   | B   |      |     |      |       |     |       |      |     |      |     |
| M30-375-2W  | 2  | 3/8 | 1/2 | 1.50 | .88 | 1.50 | N/A   | .20 | 3.25  | 1.12 | .75 | 1.63 | .19 |
| M30-375-3W  | 3  | 3/8 | 1/2 | 1.50 | .88 | 1.50 | 1.50  | .20 | 4.75  | 1.12 | .75 | 1.63 | .19 |
| M30-375-4W  | 4  | 3/8 | 1/2 | 1.50 | .88 | 1.50 | 3.00  | .20 | 6.25  | 1.12 | .75 | 1.63 | .19 |
| M30-375-5W  | 5  | 3/8 | 1/2 | 1.50 | .88 | 1.50 | 4.50  | .20 | 7.75  | 1.12 | .75 | 1.63 | .19 |
| M30-375-6W  | 6  | 3/8 | 1/2 | 1.50 | .88 | 1.50 | 6.00  | .20 | 9.25  | 1.12 | .75 | 1.63 | .19 |
| M30-375-7W  | 7  | 3/8 | 1/2 | 1.50 | .88 | 1.50 | 7.50  | .20 | 10.75 | 1.12 | .75 | 1.63 | .19 |
| M30-375-8W  | 8  | 3/8 | 1/2 | 1.50 | .88 | 1.50 | 9.00  | .20 | 12.25 | 1.12 | .75 | 1.63 | .19 |
| M30-375-9W  | 9  | 3/8 | 1/2 | 1.50 | .88 | 1.50 | 1.50  | .20 | 13.75 | 1.12 | .75 | 1.63 | .19 |
| M30-375-10W | 10 | 3/8 | 1/2 | 1.50 | .88 | 1.50 | 12.00 | .20 | 15.25 | 1.12 | .75 | 1.63 | .19 |

\* Number of stations  
 ● Measurements in inches



1/2 NPT (F) input porting available to allow for greater flow

**Over 30 colors of anodic coatings are available**



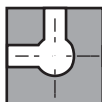
- Output ports at 90° for plumbing convenience
- 2 to 10 Stations
- Two input ports
- Aluminum with black anodize for corrosion and wear resistance

### Port Configuration

*Cross Section*

Inline Manifold

90° Manifold



## 90° Manifolds

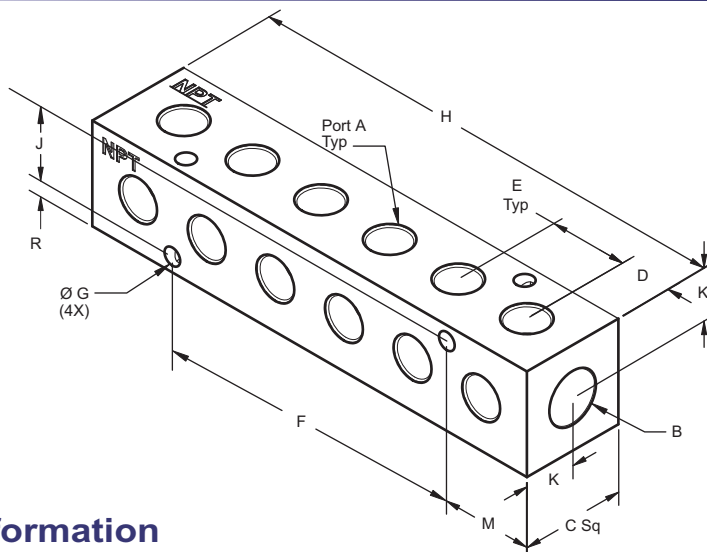
### Port Options

#### Input

- 1/4 NPT (F)
- 3/8 NPT (F)
- 1/2 NPT (F)

#### Output

- 1/8 NPT (F)
- 1/4 NPT (F)
- 3/8 NPT (F)



### Product Information

*1/4 NPT (F) Input x 1/8 NPT (F) Output*

| Part Number   | *  | NPT |     | C    | D   | E   | F    | G   | H    | J   | K   | M    | R   |
|---------------|----|-----|-----|------|-----|-----|------|-----|------|-----|-----|------|-----|
|               |    | A   | B   |      |     |     |      |     |      |     |     |      |     |
| M10-125-2-90  | 2  | 1/8 | 1/4 | 1.00 | .50 | .75 | N/A  | .17 | 1.75 | .70 | .50 | 0.88 | .15 |
| M10-125-3-90  | 3  | 1/8 | 1/4 | 1.00 | .50 | .75 | .75  | .17 | 2.50 | .70 | .50 | 0.88 | .15 |
| M10-125-4-90  | 4  | 1/8 | 1/4 | 1.00 | .50 | .75 | 1.50 | .17 | 3.25 | .70 | .50 | 0.88 | .15 |
| M10-125-5-90  | 5  | 1/8 | 1/4 | 1.00 | .50 | .75 | 2.25 | .17 | 4.00 | .70 | .50 | 0.88 | .15 |
| M10-125-6-90  | 6  | 1/8 | 1/4 | 1.00 | .50 | .75 | 3.00 | .17 | 4.75 | .70 | .50 | 0.88 | .15 |
| M10-125-7-90  | 7  | 1/8 | 1/4 | 1.00 | .50 | .75 | 3.75 | .17 | 5.50 | .70 | .50 | 0.88 | .15 |
| M10-125-8-90  | 8  | 1/8 | 1/4 | 1.00 | .50 | .75 | 4.50 | .17 | 6.25 | .70 | .50 | 0.88 | .15 |
| M10-125-9-90  | 9  | 1/8 | 1/4 | 1.00 | .50 | .75 | 5.25 | .17 | 7.00 | .70 | .50 | 0.88 | .15 |
| M10-125-10-90 | 10 | 1/8 | 1/4 | 1.00 | .50 | .75 | 6.00 | .17 | 7.75 | .70 | .50 | 0.88 | .15 |

*3/8 NPT (F) Input x 1/8 NPT (F) Output*

| Part Number   | *  | NPT |     | C    | D   | E   | F    | G   | H    | J   | K   | M    | R   |
|---------------|----|-----|-----|------|-----|-----|------|-----|------|-----|-----|------|-----|
|               |    | A   | B   |      |     |     |      |     |      |     |     |      |     |
| M20-125-2-90  | 2  | 1/8 | 3/8 | 1.25 | .50 | .75 | N/A  | .20 | 1.75 | .89 | .63 | 0.88 | .18 |
| M20-125-3-90  | 3  | 1/8 | 3/8 | 1.25 | .50 | .75 | .75  | .20 | 2.50 | .89 | .63 | 0.88 | .18 |
| M20-125-4-90  | 4  | 1/8 | 3/8 | 1.25 | .50 | .75 | 1.50 | .20 | 3.25 | .89 | .63 | 0.88 | .18 |
| M20-125-5-90  | 5  | 1/8 | 3/8 | 1.25 | .50 | .75 | 2.25 | .20 | 4.00 | .89 | .63 | 0.88 | .18 |
| M20-125-6-90  | 6  | 1/8 | 3/8 | 1.25 | .50 | .75 | 3.00 | .20 | 4.75 | .89 | .63 | 0.88 | .18 |
| M20-125-7-90  | 7  | 1/8 | 3/8 | 1.25 | .50 | .75 | 3.75 | .20 | 5.50 | .89 | .63 | 0.88 | .18 |
| M20-125-8-90  | 8  | 1/8 | 3/8 | 1.25 | .50 | .75 | 4.50 | .20 | 6.25 | .89 | .63 | 0.88 | .18 |
| M20-125-9-90  | 9  | 1/8 | 3/8 | 1.25 | .50 | .75 | 5.25 | .20 | 7.00 | .89 | .63 | 0.88 | .18 |
| M20-125-10-90 | 10 | 1/8 | 3/8 | 1.25 | .50 | .75 | 6.00 | .20 | 7.75 | .89 | .63 | 0.88 | .18 |

\* Number of stations

● Measurements in inches

● When design makes a dimension critical- contact factory for confirmation. All dimensions shown subject to change without notice.

**Product Information- 90° Manifolds**

*3/8 NPT (F) Input x 1/4 NPT (F) Output*

| Part Number   | *  | NPT |     | C    | D   | E   | F    | G   | H    | J   | K   | M    | R   |
|---------------|----|-----|-----|------|-----|-----|------|-----|------|-----|-----|------|-----|
|               |    | A   | B   |      |     |     |      |     |      |     |     |      |     |
| M20-250-2-90  | 2  | 1/4 | 3/8 | 1.25 | .63 | .88 | N/A  | .20 | 2.13 | .89 | .63 | 1.06 | .18 |
| M20-250-3-90  | 3  | 1/4 | 3/8 | 1.25 | .63 | .88 | .87  | .20 | 3.00 | .89 | .63 | 1.06 | .18 |
| M20-250-4-90  | 4  | 1/4 | 3/8 | 1.25 | .63 | .88 | 1.75 | .20 | 3.88 | .89 | .63 | 1.06 | .18 |
| M20-250-5-90  | 5  | 1/4 | 3/8 | 1.25 | .63 | .88 | 2.62 | .20 | 4.75 | .89 | .63 | 1.06 | .18 |
| M20-250-6-90  | 6  | 1/4 | 3/8 | 1.25 | .63 | .88 | 3.50 | .20 | 5.63 | .89 | .63 | 1.06 | .18 |
| M20-250-7-90  | 7  | 1/4 | 3/8 | 1.25 | .63 | .88 | 4.37 | .20 | 6.50 | .89 | .63 | 1.06 | .18 |
| M20-250-8-90  | 8  | 1/4 | 3/8 | 1.25 | .63 | .88 | 5.25 | .20 | 7.38 | .89 | .63 | 1.06 | .18 |
| M20-250-9-90  | 9  | 1/4 | 3/8 | 1.25 | .63 | .88 | 6.12 | .20 | 8.25 | .89 | .63 | 1.06 | .18 |
| M20-250-10-90 | 10 | 1/4 | 3/8 | 1.25 | .63 | .88 | 7.00 | .20 | 9.13 | .89 | .63 | 1.06 | .18 |

*1/2 NPT (F) Input x 1/4 NPT (F) Output*

| Part Number   | *  | NPT |     | C    | D   | E    | F    | G   | H     | J    | K   | M    | R   |
|---------------|----|-----|-----|------|-----|------|------|-----|-------|------|-----|------|-----|
|               |    | A   | B   |      |     |      |      |     |       |      |     |      |     |
| M30-250-2-90  | 2  | 1/4 | 1/2 | 1.50 | .88 | 1.00 | N/A  | .20 | 2.75  | 1.12 | .75 | 1.38 | .19 |
| M30-250-3-90  | 3  | 1/4 | 1/2 | 1.50 | .88 | 1.00 | 1.00 | .20 | 3.75  | 1.12 | .75 | 1.38 | .19 |
| M30-250-4-90  | 4  | 1/4 | 1/2 | 1.50 | .88 | 1.00 | 2.00 | .20 | 4.75  | 1.12 | .75 | 1.38 | .19 |
| M30-250-5-90  | 5  | 1/4 | 1/2 | 1.50 | .88 | 1.00 | 3.00 | .20 | 5.75  | 1.12 | .75 | 1.38 | .19 |
| M30-250-6-90  | 6  | 1/4 | 1/2 | 1.50 | .88 | 1.00 | 4.00 | .20 | 6.75  | 1.12 | .75 | 1.38 | .19 |
| M30-250-7-90  | 7  | 1/4 | 1/2 | 1.50 | .88 | 1.00 | 5.00 | .20 | 7.75  | 1.12 | .75 | 1.38 | .19 |
| M30-250-8-90  | 8  | 1/4 | 1/2 | 1.50 | .88 | 1.00 | 6.00 | .20 | 8.75  | 1.12 | .75 | 1.38 | .19 |
| M30-250-9-90  | 9  | 1/4 | 1/2 | 1.50 | .88 | 1.00 | 7.00 | .20 | 9.75  | 1.12 | .75 | 1.38 | .19 |
| M30-250-10-90 | 10 | 1/4 | 1/2 | 1.50 | .88 | 1.00 | 8.00 | .20 | 10.75 | 1.12 | .75 | 1.38 | .19 |

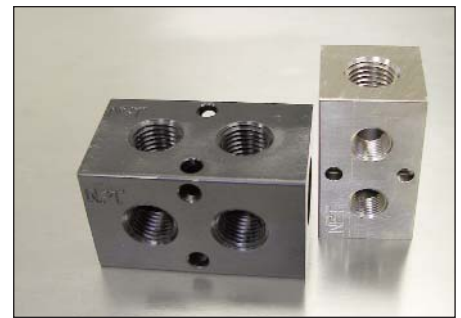
*1/2 NPT (F) Input x 3/8 NPT (F) Output*

| Part Number   | *  | NPT |     | C    | D   | E    | F    | G   | H     | J    | K   | M    | R   |
|---------------|----|-----|-----|------|-----|------|------|-----|-------|------|-----|------|-----|
|               |    | A   | B   |      |     |      |      |     |       |      |     |      |     |
| M30-375-2-90  | 2  | 3/8 | 1/2 | 1.50 | .88 | 1.00 | N/A  | .20 | 2.75  | 1.12 | .75 | 1.38 | .19 |
| M30-375-3-90  | 3  | 3/8 | 1/2 | 1.50 | .88 | 1.00 | 1.00 | .20 | 3.75  | 1.12 | .75 | 1.38 | .19 |
| M30-375-4-90  | 4  | 3/8 | 1/2 | 1.50 | .88 | 1.00 | 2.00 | .20 | 4.75  | 1.12 | .75 | 1.38 | .19 |
| M30-375-5-90  | 5  | 3/8 | 1/2 | 1.50 | .88 | 1.00 | 3.00 | .20 | 5.75  | 1.12 | .75 | 1.38 | .19 |
| M30-375-6-90  | 6  | 3/8 | 1/2 | 1.50 | .88 | 1.00 | 4.00 | .20 | 6.75  | 1.12 | .75 | 1.38 | .19 |
| M30-375-7-90  | 7  | 3/8 | 1/2 | 1.50 | .88 | 1.00 | 5.00 | .20 | 7.75  | 1.12 | .75 | 1.38 | .19 |
| M30-375-8-90  | 8  | 3/8 | 1/2 | 1.50 | .88 | 1.00 | 6.00 | .20 | 8.75  | 1.12 | .75 | 1.38 | .19 |
| M30-375-9-90  | 9  | 3/8 | 1/2 | 1.50 | .88 | 1.00 | 7.00 | .20 | 9.75  | 1.12 | .75 | 1.38 | .19 |
| M30-375-10-90 | 10 | 3/8 | 1/2 | 1.50 | .88 | 1.00 | 8.00 | .20 | 10.75 | 1.12 | .75 | 1.38 | .19 |

\* Number of stations

● Measurements in inches

● When design makes a dimension critical- contact factory for confirmation. All dimensions shown subject to change without notice.



Contact factory for more information on custom plating or finishes

**Several patents have been issued for our robust and unique designs**



- Output port spacing is 1.5" center-to-center
- 2 to 10 stations
- 1/8, 1/4, 3/8, and 1/2 NPT (F) porting options

***Pneumadyne-  
recognized around the  
world for designing and  
manufacturing high  
quality products***

**90° Manifolds- 1.5" Spacing**

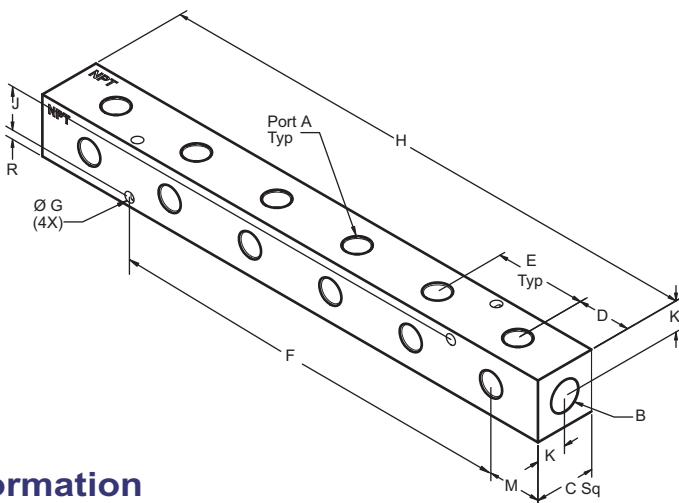
**Port Options**

**Input**

- 1/4 NPT (F)
- 3/8 NPT (F)
- 1/2 NPT (F)

**Output**

- 1/8 NPT (F)
- 1/4 NPT (F)
- 3/8 NPT (F)



**Product Information**

*1/4 NPT (F) Input x 1/8 NPT (F) Output*

| Part Number    | *  | NPT |     | C    | D   | E    | F     | G   | H     | J    | K   | M    | R   |
|----------------|----|-----|-----|------|-----|------|-------|-----|-------|------|-----|------|-----|
|                |    | A   | B   |      |     |      |       |     |       |      |     |      |     |
| M10-125-2-90W  | 2  | 1/8 | 1/4 | 1.00 | .88 | 1.50 | N/A   | .17 | 3.25  | 0.70 | .50 | 1.63 | .15 |
| M10-125-3-90W  | 3  | 1/8 | 1/4 | 1.00 | .88 | 1.50 | 1.50  | .17 | 4.75  | 0.70 | .50 | 1.63 | .15 |
| M10-125-4-90W  | 4  | 1/8 | 1/4 | 1.00 | .88 | 1.50 | 3.00  | .17 | 6.25  | 0.70 | .50 | 1.63 | .15 |
| M10-125-5-90W  | 5  | 1/8 | 1/4 | 1.00 | .88 | 1.50 | 4.50  | .17 | 7.75  | 0.70 | .50 | 1.63 | .15 |
| M10-125-6-90W  | 6  | 1/8 | 1/4 | 1.00 | .88 | 1.50 | 6.00  | .17 | 9.25  | 0.70 | .50 | 1.63 | .15 |
| M10-125-7-90W  | 7  | 1/8 | 1/4 | 1.00 | .88 | 1.50 | 7.50  | .17 | 10.75 | 0.70 | .50 | 1.63 | .15 |
| M10-125-8-90W  | 8  | 1/8 | 1/4 | 1.00 | .88 | 1.50 | 9.00  | .17 | 12.25 | 0.70 | .50 | 1.63 | .15 |
| M10-125-9-90W  | 9  | 1/8 | 1/4 | 1.00 | .88 | 1.50 | 1.50  | .17 | 13.75 | 0.70 | .50 | 1.63 | .15 |
| M10-125-10-90W | 10 | 1/8 | 1/4 | 1.00 | .88 | 1.50 | 12.00 | .17 | 15.25 | 0.70 | .50 | 1.63 | .15 |

*3/8 NPT (F) Input x 1/8 NPT (F) Output*

| Part Number    | *  | NPT |     | C    | D   | E    | F     | G   | H     | J    | K   | M    | R   |
|----------------|----|-----|-----|------|-----|------|-------|-----|-------|------|-----|------|-----|
|                |    | A   | B   |      |     |      |       |     |       |      |     |      |     |
| M20-125-2-90W  | 2  | 1/8 | 3/8 | 1.25 | .88 | 1.50 | N/A   | .20 | 3.25  | 0.89 | .63 | 1.63 | .18 |
| M20-125-3-90W  | 3  | 1/8 | 3/8 | 1.25 | .88 | 1.50 | 1.50  | .20 | 4.75  | 0.89 | .63 | 1.63 | .18 |
| M20-125-4-90W  | 4  | 1/8 | 3/8 | 1.25 | .88 | 1.50 | 3.00  | .20 | 6.25  | 0.89 | .63 | 1.63 | .18 |
| M20-125-5-90W  | 5  | 1/8 | 3/8 | 1.25 | .88 | 1.50 | 4.50  | .20 | 7.75  | 0.89 | .63 | 1.63 | .18 |
| M20-125-6-90W  | 6  | 1/8 | 3/8 | 1.25 | .88 | 1.50 | 6.00  | .20 | 9.25  | 0.89 | .63 | 1.63 | .18 |
| M20-125-7-90W  | 7  | 1/8 | 3/8 | 1.25 | .88 | 1.50 | 7.50  | .20 | 10.75 | 0.89 | .63 | 1.63 | .18 |
| M20-125-8-90W  | 8  | 1/8 | 3/8 | 1.25 | .88 | 1.50 | 9.00  | .20 | 12.25 | 0.89 | .63 | 1.63 | .18 |
| M20-125-9-90W  | 9  | 1/8 | 3/8 | 1.25 | .88 | 1.50 | 1.50  | .20 | 13.75 | 0.89 | .63 | 1.63 | .18 |
| M20-125-10-90W | 10 | 1/8 | 3/8 | 1.25 | .88 | 1.50 | 12.00 | .20 | 15.25 | 0.89 | .63 | 1.63 | .18 |

\* Number of stations

● Measurements in inches

● When design makes a dimension critical- contact factory for confirmation. All dimensions shown subject to change without notice.

**Product Information- 90° Manifolds- 1.5" Spacing**

*3/8 NPT (F) Input x 1/4 NPT (F) Output*

| Part Number    | *  | NPT |     | C    | D   | E    | F     | G   | H     | J    | K   | M    | R   |
|----------------|----|-----|-----|------|-----|------|-------|-----|-------|------|-----|------|-----|
|                |    | A   | B   |      |     |      |       |     |       |      |     |      |     |
| M20-250-2-90W  | 2  | 1/4 | 3/8 | 1.25 | .88 | 1.50 | N/A   | .20 | 3.25  | 0.89 | .63 | 1.63 | .18 |
| M20-250-3-90W  | 3  | 1/4 | 3/8 | 1.25 | .88 | 1.50 | 1.50  | .20 | 4.75  | 0.89 | .63 | 1.63 | .18 |
| M20-250-4-90W  | 4  | 1/4 | 3/8 | 1.25 | .88 | 1.50 | 3.00  | .20 | 6.25  | 0.89 | .63 | 1.63 | .18 |
| M20-250-5-90W  | 5  | 1/4 | 3/8 | 1.25 | .88 | 1.50 | 4.50  | .20 | 7.75  | 0.89 | .63 | 1.63 | .18 |
| M20-250-6-90W  | 6  | 1/4 | 3/8 | 1.25 | .88 | 1.50 | 6.00  | .20 | 9.25  | 0.89 | .63 | 1.63 | .18 |
| M20-250-7-90W  | 7  | 1/4 | 3/8 | 1.25 | .88 | 1.50 | 7.50  | .20 | 10.75 | 0.89 | .63 | 1.63 | .18 |
| M20-250-8-90W  | 8  | 1/4 | 3/8 | 1.25 | .88 | 1.50 | 9.00  | .20 | 12.25 | 0.89 | .63 | 1.63 | .18 |
| M20-250-9-90W  | 9  | 1/4 | 3/8 | 1.25 | .88 | 1.50 | 1.50  | .20 | 13.75 | 0.89 | .63 | 1.63 | .18 |
| M20-250-10-90W | 10 | 1/4 | 3/8 | 1.25 | .88 | 1.50 | 12.00 | .20 | 15.25 | 0.89 | .63 | 1.63 | .18 |

*1/2 NPT (F) Input x 1/4 NPT (F) Output*

| Part Number    | *  | NPT |     | C    | D   | E    | F     | G   | H     | J    | K   | M    | R   |
|----------------|----|-----|-----|------|-----|------|-------|-----|-------|------|-----|------|-----|
|                |    | A   | B   |      |     |      |       |     |       |      |     |      |     |
| M30-250-2-90W  | 2  | 1/4 | 1/2 | 1.50 | .88 | 1.50 | N/A   | .20 | 3.25  | 1.12 | .75 | 1.63 | .19 |
| M30-250-3-90W  | 3  | 1/4 | 1/2 | 1.50 | .88 | 1.50 | 1.50  | .20 | 4.75  | 1.12 | .75 | 1.63 | .19 |
| M30-250-4-90W  | 4  | 1/4 | 1/2 | 1.50 | .88 | 1.50 | 3.00  | .20 | 6.25  | 1.12 | .75 | 1.63 | .19 |
| M30-250-5-90W  | 5  | 1/4 | 1/2 | 1.50 | .88 | 1.50 | 4.50  | .20 | 7.75  | 1.12 | .75 | 1.63 | .19 |
| M30-250-6-90W  | 6  | 1/4 | 1/2 | 1.50 | .88 | 1.50 | 6.00  | .20 | 9.25  | 1.12 | .75 | 1.63 | .19 |
| M30-250-7-90W  | 7  | 1/4 | 1/2 | 1.50 | .88 | 1.50 | 7.50  | .20 | 10.75 | 1.12 | .75 | 1.63 | .19 |
| M30-250-8-90W  | 8  | 1/4 | 1/2 | 1.50 | .88 | 1.50 | 9.00  | .20 | 12.25 | 1.12 | .75 | 1.63 | .19 |
| M30-250-9-90W  | 9  | 1/4 | 1/2 | 1.50 | .88 | 1.50 | 1.50  | .20 | 13.75 | 1.12 | .75 | 1.63 | .19 |
| M30-250-10-90W | 10 | 1/4 | 1/2 | 1.50 | .88 | 1.50 | 12.00 | .20 | 15.25 | 1.12 | .75 | 1.63 | .19 |

*1/2 NPT (F) Input x 3/8 NPT (F) Output*

| Part Number    | *  | NPT |     | C    | D   | E    | F     | G   | H     | J    | K   | M    | R   |
|----------------|----|-----|-----|------|-----|------|-------|-----|-------|------|-----|------|-----|
|                |    | A   | B   |      |     |      |       |     |       |      |     |      |     |
| M30-375-2-90W  | 2  | 3/8 | 1/2 | 1.50 | .88 | 1.50 | N/A   | .20 | 2.75  | 1.12 | .75 | 1.63 | .19 |
| M30-375-3-90W  | 3  | 3/8 | 1/2 | 1.50 | .88 | 1.50 | 1.50  | .20 | 4.75  | 1.12 | .75 | 1.63 | .19 |
| M30-375-4-90W  | 4  | 3/8 | 1/2 | 1.50 | .88 | 1.50 | 3.00  | .20 | 6.25  | 1.12 | .75 | 1.63 | .19 |
| M30-375-5-90W  | 5  | 3/8 | 1/2 | 1.50 | .88 | 1.50 | 4.50  | .20 | 7.75  | 1.12 | .75 | 1.63 | .19 |
| M30-375-6-90W  | 6  | 3/8 | 1/2 | 1.50 | .88 | 1.50 | 6.00  | .20 | 9.25  | 1.12 | .75 | 1.63 | .19 |
| M30-375-7-90W  | 7  | 3/8 | 1/2 | 1.50 | .88 | 1.50 | 7.50  | .20 | 10.75 | 1.12 | .75 | 1.63 | .19 |
| M30-375-8-90W  | 8  | 3/8 | 1/2 | 1.50 | .88 | 1.50 | 9.00  | .20 | 12.25 | 1.12 | .75 | 1.63 | .19 |
| M30-375-9-90W  | 9  | 3/8 | 1/2 | 1.50 | .88 | 1.50 | 1.50  | .20 | 13.75 | 1.12 | .75 | 1.63 | .19 |
| M30-375-10-90W | 10 | 3/8 | 1/2 | 1.50 | .88 | 1.50 | 12.00 | .20 | 15.25 | 1.12 | .75 | 1.63 | .19 |

- \* Number of stations
- Measurements in inches



90° manifolds with 1.5" spacing provide plumbing convenience and allow for larger control valve installation

**Solenoid manifold information can be found in the Solenoid Valves & Accessories section**

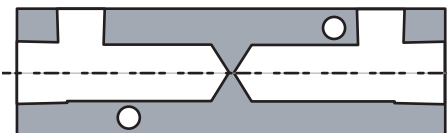
- When design makes a dimension critical- contact factory for confirmation. All dimensions shown subject to change without notice.



- Two separate manifolds in one block
- Two independent flow paths (ie: pressure one side vacuum on the other)
- Aluminum with black anodizing for corrosion resistance and appearance
- Mounting versatility

### Port Configuration

Cross Section  
Part Number  
DA\*-\*



A variety of custom manifolds have been designed by Pneumadyne. Features include:

- 1 Large mounting hole for shaft mounting by set screw
- 2 Junction for eighteen output ports
- 3 Push-to-connect fittings
- 4 Designed to accommodate customer's solenoid valves
- 5 Eliminates the need for **thirty tee fittings**
- 6 Brass manifold
- 7 Accommodates a fifth output port

### Dual Air

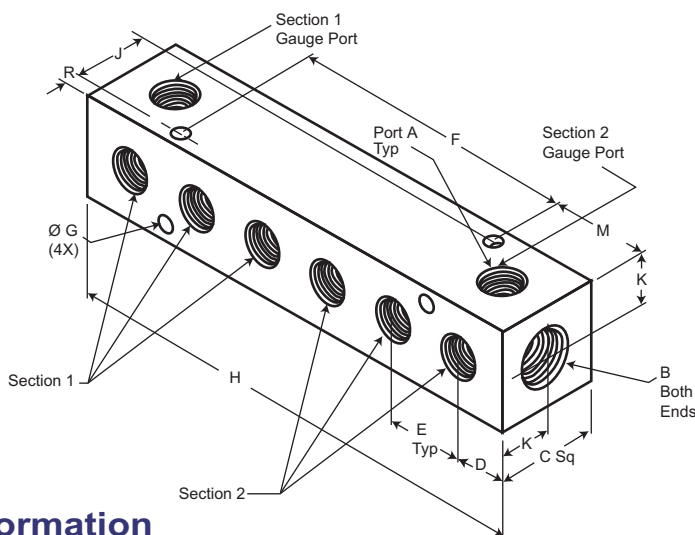
#### Port Options

##### Input

- 1/4 NPT (F)
- 3/8 NPT (F)

##### Output

- 1/8 NPT (F)
- 1/4 NPT (F)



### Product Information

#### 1/4 NPT (F) Input x 1/8 NPT (F) Output

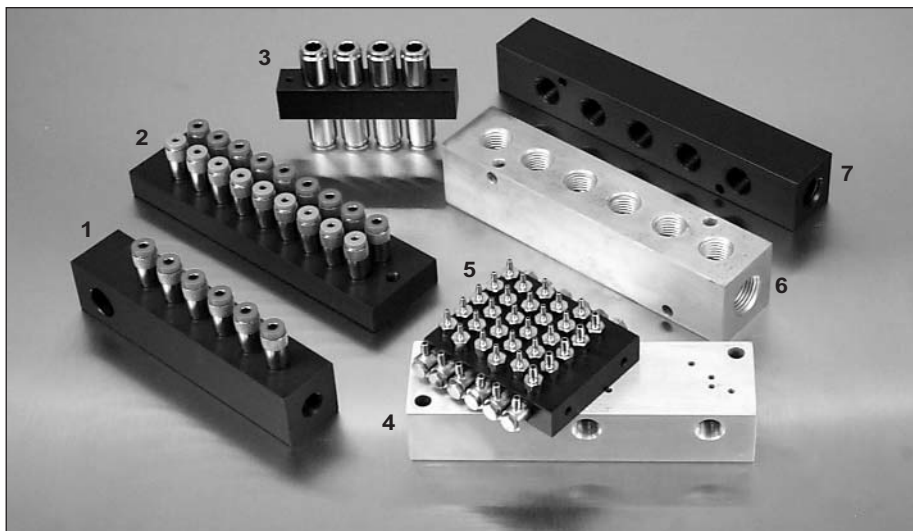
| Part Number | Ports per Section | A   | B   | C    | D   | E   | F    | G   | H    | J   | K   | M   | R   |
|-------------|-------------------|-----|-----|------|-----|-----|------|-----|------|-----|-----|-----|-----|
| DA10-125-22 | 2                 | 1/8 | 1/4 | 1.00 | .50 | .75 | 1.50 | .17 | 3.25 | .70 | .50 | .87 | .15 |
| DA10-125-33 | 3                 | 1/8 | 1/4 | 1.00 | .50 | .75 | 3.00 | .17 | 4.75 | .70 | .50 | .87 | .15 |
| DA10-125-44 | 4                 | 1/8 | 1/4 | 1.00 | .50 | .75 | 4.50 | .17 | 6.25 | .70 | .50 | .87 | .15 |
| DA10-125-55 | 5                 | 1/8 | 1/4 | 1.00 | .50 | .75 | 6.00 | .17 | 7.75 | .70 | .50 | .87 | .15 |

#### 3/8 NPT (F) Input x 1/4 NPT (F) Output

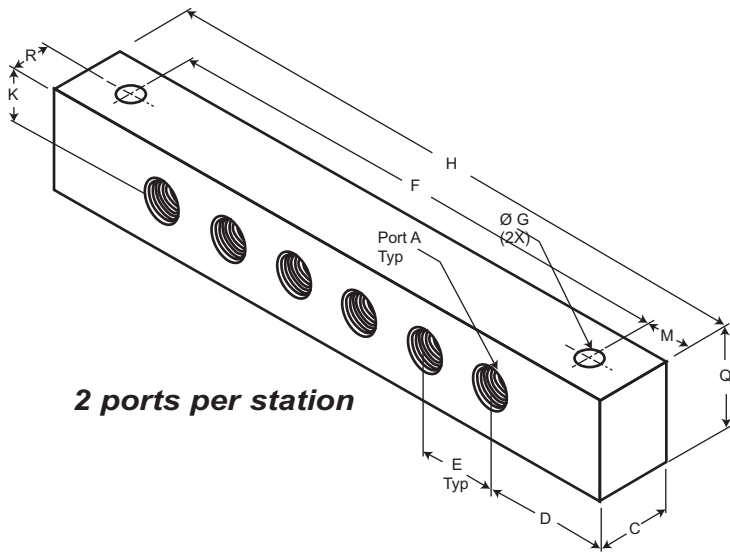
|             |   |     |     |      |     |     |      |     |      |     |     |      |     |
|-------------|---|-----|-----|------|-----|-----|------|-----|------|-----|-----|------|-----|
| DA20-250-22 | 2 | 1/4 | 3/8 | 1.25 | .62 | .87 | 1.75 | .20 | 3.87 | .89 | .62 | 1.06 | .18 |
| DA20-250-33 | 3 | 1/4 | 3/8 | 1.25 | .62 | .87 | 3.50 | .20 | 5.62 | .89 | .62 | 1.06 | .18 |
| DA20-250-44 | 4 | 1/4 | 3/8 | 1.25 | .62 | .87 | 5.25 | .20 | 7.37 | .89 | .62 | 1.06 | .18 |
| DA20-250-55 | 5 | 1/4 | 3/8 | 1.25 | .62 | .87 | 7.00 | .20 | 9.12 | .89 | .62 | 1.06 | .18 |

- Measurements in inches

### Custom Products

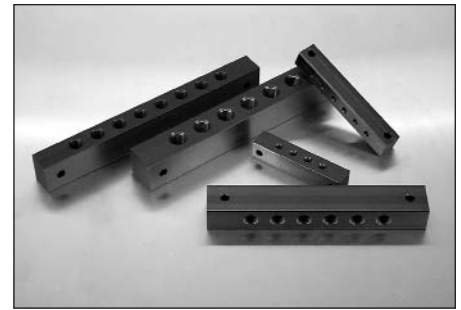


## Junction Blocks



### Port Options

- 10-32 UNF (F)
- 1/8 NPT (F)
- 1/4 NPT (F)



- Union configuration
- Three available port options 10-32, 1/8 NPT (F), 1/4 NPT (F)
- 4 to 10 stations
- Aluminum with black anodizing for corrosion resistance and appearance

## Product Information

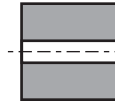
| Part Number | No. of Stations | A     | C    | D    | E   | F    | G   | H     | K   | M   | R   | Q    |
|-------------|-----------------|-------|------|------|-----|------|-----|-------|-----|-----|-----|------|
| JB32-4      | 4               | 10-32 | .62  | .75  | .50 | 2.50 | .22 | 3.00  | .31 | .25 | .31 | .62  |
| JB32-6      | 6               | 10-32 | .62  | .75  | .50 | 3.50 | .22 | 4.00  | .31 | .25 | .31 | .62  |
| JB32-8      | 8               | 10-32 | .62  | .75  | .50 | 4.50 | .22 | 5.00  | .31 | .25 | .31 | .62  |
| JB32-10     | 10              | 10-32 | .62  | .75  | .50 | 5.50 | .22 | 6.00  | .31 | .25 | .31 | .62  |
| <b>NPT</b>  |                 |       |      |      |     |      |     |       |     |     |     |      |
| JB125-4     | 4               | 1/8   | 1.00 | 1.25 | .75 | 3.75 | .25 | 4.75  | .37 | .50 | .50 | .75  |
| JB125-6     | 6               | 1/8   | 1.00 | 1.25 | .75 | 5.25 | .25 | 6.25  | .37 | .50 | .50 | .75  |
| JB125-8     | 8               | 1/8   | 1.00 | 1.25 | .75 | 6.75 | .25 | 7.75  | .37 | .50 | .50 | .75  |
| JB125-10    | 10              | 1/8   | 1.00 | 1.25 | .75 | 8.25 | .25 | 9.25  | .37 | .50 | .50 | .75  |
| JB250-4     | 4               | 1/4   | 1.00 | 1.37 | .87 | 4.37 | .25 | 5.37  | .50 | .50 | .50 | 1.00 |
| JB250-6     | 6               | 1/4   | 1.00 | 1.37 | .87 | 6.12 | .25 | 7.12  | .50 | .50 | .50 | 1.00 |
| JB250-8     | 8               | 1/4   | 1.00 | 1.37 | .87 | 7.87 | .25 | 8.87  | .50 | .50 | .50 | 1.00 |
| JB250-10    | 10              | 1/4   | 1.00 | 1.37 | .87 | 9.62 | .25 | 10.62 | .50 | .50 | .50 | 1.00 |

● Measurements in inches

## Port Configuration

Cross Section

Part Number  
JB\*-\*



**We design custom products to meet your application needs**

● When design makes a dimension critical- contact factory for confirmation. All dimensions shown subject to change without notice.



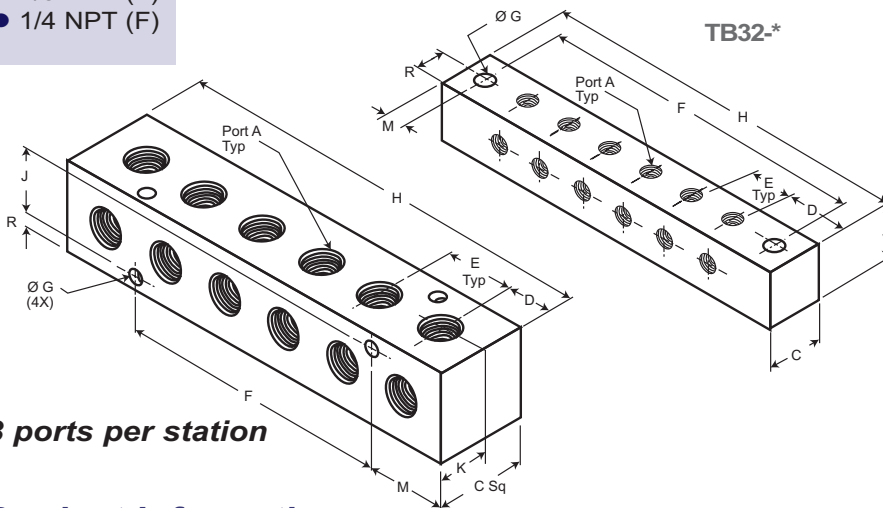


- Tee configuration
- Three available port options 10-32 (F), 1/8 NPT (F), 1/4 NPT (F)
- 2 to 10 stations
- Mounting versatility
- Aluminum with black anodizing for corrosion resistance and appearance

## Terminal Blocks

### Port Options

- 10-32 UNF(F)
- 1/8 NPT (F)
- 1/4 NPT (F)



## Product Information

| Part Number      | No. Stations | A     | C    | D   | E   | F    | G   | H    | J   | K   | M    | R   |
|------------------|--------------|-------|------|-----|-----|------|-----|------|-----|-----|------|-----|
| <b>10-32 UNF</b> |              |       |      |     |     |      |     |      |     |     |      |     |
| TB32-4           | 4            | 10-32 | .62  | .75 | .50 | 2.50 | .22 | 3.00 | .62 | -   | .25  | .31 |
| TB32-6           | 6            | 10-32 | .62  | .75 | .50 | 3.50 | .22 | 4.00 | .62 | -   | .25  | .31 |
| TB32-8           | 8            | 10-32 | .62  | .75 | .50 | 4.50 | .22 | 5.00 | .62 | -   | .25  | .31 |
| TB32-10          | 10           | 10-32 | .62  | .75 | .50 | 5.50 | .22 | 6.00 | .62 | -   | .25  | .31 |
| <b>1/8 NPT</b>   |              |       |      |     |     |      |     |      |     |     |      |     |
| TB10-125-2       | 2            | 1/8   | 1.00 | .50 | .75 | -    | .17 | 1.75 | .70 | .50 | .87  | .15 |
| TB10-125-4       | 4            | 1/8   | 1.00 | .50 | .75 | 1.50 | .17 | 3.25 | .70 | .50 | .87  | .15 |
| TB10-125-6       | 6            | 1/8   | 1.00 | .50 | .75 | 3.00 | .17 | 4.75 | .70 | .50 | .87  | .15 |
| TB10-125-8       | 8            | 1/8   | 1.00 | .50 | .75 | 4.50 | .17 | 6.25 | .70 | .50 | .87  | .15 |
| TB10-125-10      | 10           | 1/8   | 1.00 | .50 | .75 | 6.00 | .17 | 7.75 | .70 | .50 | .87  | .15 |
| <b>1/4 NPT</b>   |              |       |      |     |     |      |     |      |     |     |      |     |
| TB20-250-2       | 2            | 1/4   | 1.25 | .62 | .87 | -    | .20 | 2.12 | .89 | .62 | 1.06 | .18 |
| TB20-250-4       | 4            | 1/4   | 1.25 | .62 | .87 | 1.75 | .20 | 3.87 | .89 | .62 | 1.06 | .18 |
| TB20-250-6       | 6            | 1/4   | 1.25 | .62 | .87 | 3.50 | .20 | 5.62 | .89 | .62 | 1.06 | .18 |
| TB20-250-8       | 8            | 1/4   | 1.25 | .62 | .87 | 5.25 | .20 | 7.37 | .89 | .62 | 1.06 | .18 |
| TB20-250-10      | 10           | 1/4   | 1.25 | .62 | .87 | 7.00 | .20 | 9.12 | .89 | .62 | 1.06 | .18 |

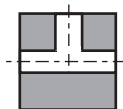
● Measurements in inches

## Port Configuration

Cross Section

Part Number

TB\*-\*



**Bookmark**  
[pneumadyne.com](http://pneumadyne.com)  
 for standard and new  
 product information and  
 useful links

● When design makes a dimension critical- contact factory for confirmation. All dimensions shown subject to change without notice.