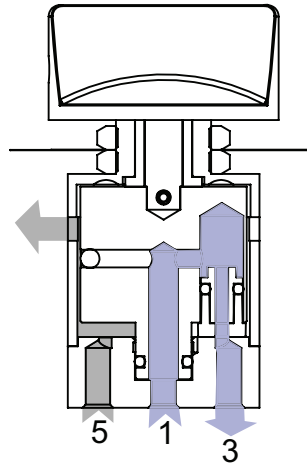


Cross Section

Cross section shown intended to show flow paths only. Not representative of all valve configurations offered by Pneumadyne

*Rely on
Pneumadyne's fluid
power expertise,
design experience
and manufacturing
capabilities when
developing your fluid
handling applications*



6-Position Selector

Function

The Standard Selector Valve directs flow through port 1 and out the selected output port. Flow will pass through each output port as the knob is turned.

Pneumadyne also offers a Shut-off Selector Valve which requires the knob to be pushed-in and turned, blocking flow to the output ports until a position is selected.

These 3-way valves exhaust to atmosphere upon selection of a new output port.
