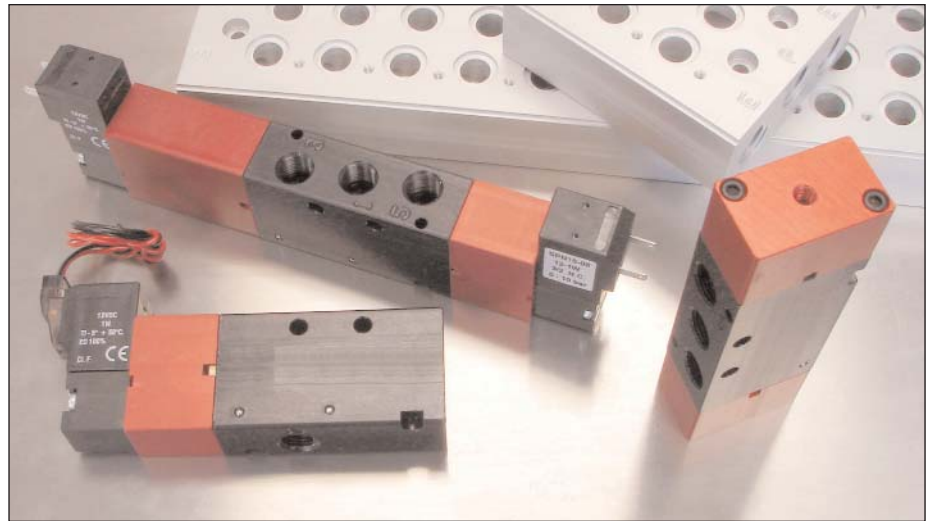


Features

- 3-Position 4-way valves feature closed and exhaust centers
- High flow rate
- 1/8 NPT (F) ports
- Balanced spool
- Low power consumption
- Lubricated and non-lubricated air



Solenoid & Air Pilot Operated 3 & 4-Way Valves "22" Series

Pneumadyne's new "22" Series offers high flow 3-way and 4-way configurations with 1/8 NPT (F) ports. In addition to the standard 2-Position 4-way, the "22" Series also features 3-Position 4-way valves with Closed or Exhaust centers to satisfy system requirements.

For installation flexibility, single or double air pilot and solenoid operators are available to shift the valve. Pneumadyne's 1 Watt, 15 mm solenoid valves present a variety of voltage and connector options.

Unique to the "22" Series, our Latching Solenoid can replace two solenoid valves in a 4-way, 2-Position "double solenoid" configuration; an energy and space saving option.

Pneumatic Performance Data "22 Series"

Temperature Range	20°F to 120°F (5°C to 50°C)
Operating Pressure	10 to 125 psi

Function	C _v	Flow Rate (scfm)		Fill Time sec/ in ³ 0-90 psi	Exhaust Time sec/ in ³ 100-10 psi	Actuating Pressure (psi)
		50 psi	125 psi			
3-Way Normally Closed	0.43	17	40	0.007	0.018	10
4-Way 5 Port 2 Position	0.43	17	40	0.008	0.018	10
4-Way 5 Port 3 Position	0.42	16	35	0.008	0.015	10

Cv per ANSI / (NFPA) T3.21.3

Electrical Performance Data Solenoid Operator

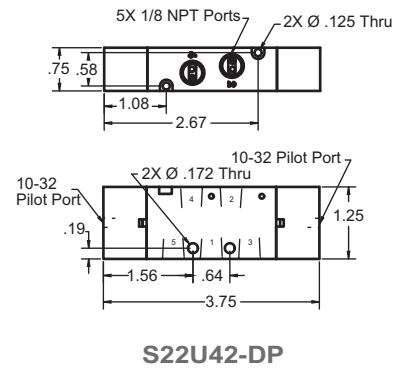
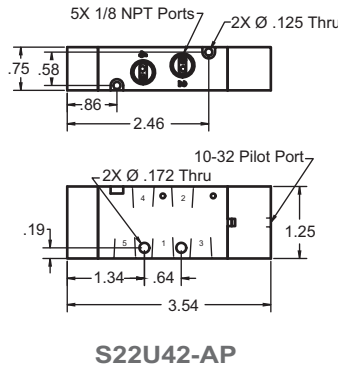
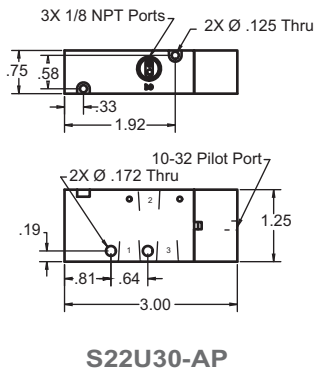
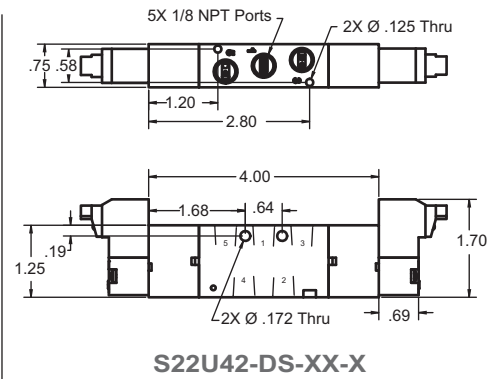
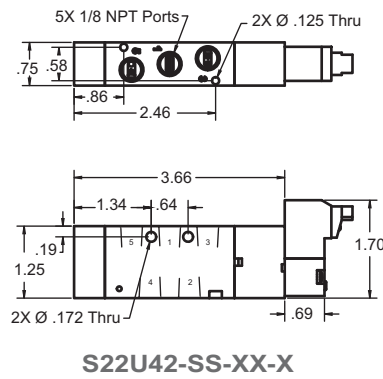
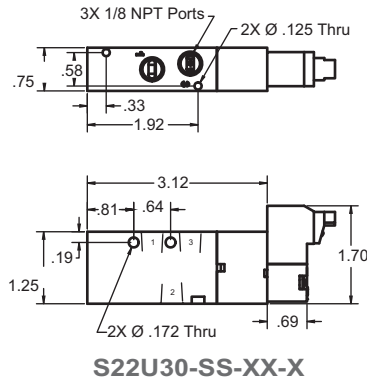
Voltage Tolerance	Response Time Energize	Response Time De-energize	Copper Wire Insulation Class
-5% to 10%	10 ms	12 ms	F 311°F (155°C)

Materials

Aluminum/Anodize, Brass/Electroless Nickel, Buna-N, Stainless Steel, Copper, Nylon - Glass Filled

Our exclusive seal material accommodates low temperature applications. Contact factory for additional information.

"22" Series Valves



● **Closed Center Valves Caution: Vent working lines before disconnecting**

The design of the Universal valve body allows inline or multiple station manifold mounting. When used with Pneumadyne's "22" Series Manifolds, the 1/8 NPT (F) cylinder ports are located on the top of the valve body and exhaust flow is directed through 1/8 NPT (F) ports on the manifold. This configuration is ideal for applications requiring the capture and removal of exhaust flow.

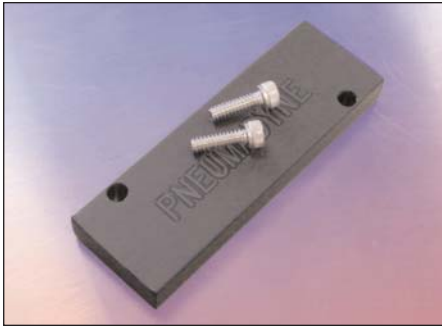
Precision machining and our exclusive PneuTef™ process ensure a long product life and enable the valves to be used with lubricated and non-lubricated air.

PneuTef™

Lightweight aluminum spools and thin profile seals enhance valve speed and ensure low breakaway. An exclusive PTFE impregnated surface results in a smooth, slippery finish extending product life.



**Can be used with
Lubricated and
Non-Lubricated Air**

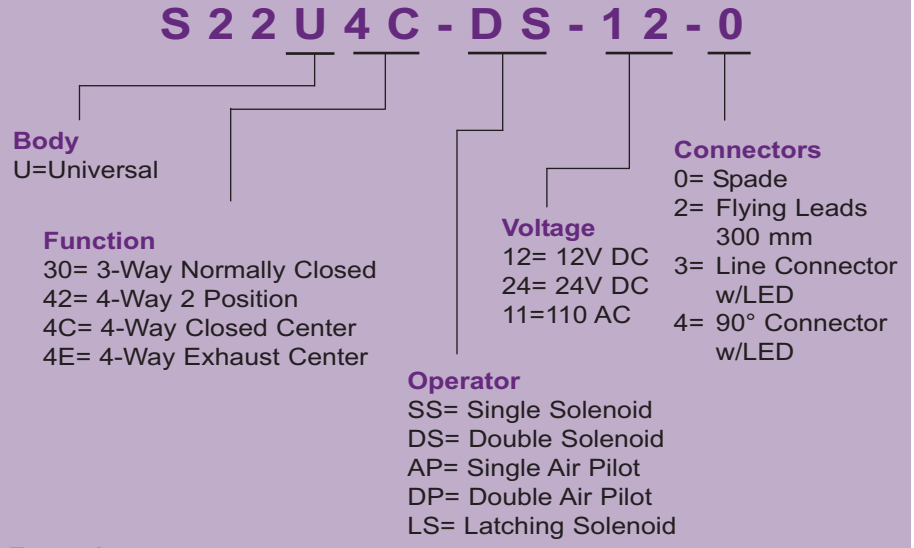


Cover Plate- (S22M-CP Sold Separately) includes mounting screws.

Ordering Information

- To order standard product refer to Product Information listing.
- Cover Plates available for use with manifolds.
- Mounting screws provided.
- 300 mm Plug-in cable included with valves featuring the Line or 90° Connector.

Product Number Diagram
"22" Series



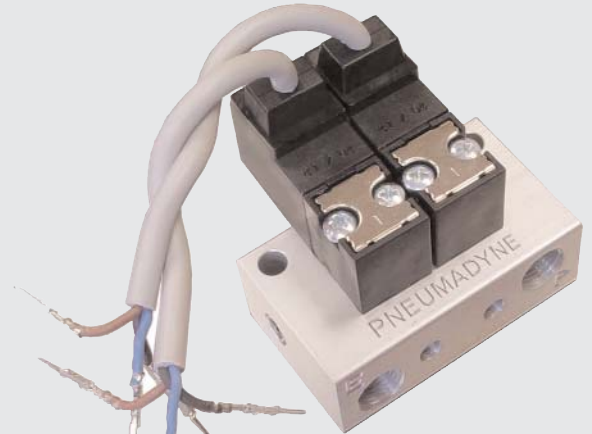
Example:

Universal, 4-Way Closed Center, Double Solenoid, 12V DC, Spade

Unique to Pneumadyne's "22" Series

Latching Solenoid Operator

- Single electrical connection
- Space saving
- 3-wire system-relay not required
- Momentary pulse to energize and de-energize
- Power savings- do not need to maintain electrical connection



The Latching Solenoid can replace two solenoid valves in a 4-way, 2-Position "double solenoid" configuration

Product Information “22” Series

**3-Way Normally Closed
Single Solenoid**

Part Number	Connection
Air Pilot	
S22U30-AP	Air Pilot
110 AC 2.8 VA/ Orifice 1.1/1.1 mm	
S22U30-SS-11-0	Spade
S22U30-SS-11-2	Flying Leads
S22U30-SS-11-3	Line Connector
S22U30-SS-11-4	90° Connector
12 DC 1 Watt/ Orifice 0.8/1.1 mm	
S22U30-SS-12-0	Spade
S22U30-SS-12-2	Flying Leads
S22U30-SS-12-3	Line Connector
S22U30-SS-12-4	90° Connector
24 DC 1 Watt/ Orifice 0.8/1.1 mm	
S22U30-SS-24-0	Spade
S22U30-SS-24-2	Flying Leads
S22U30-SS-24-3	Line Connector
S22U30-SS-24-4	90° Connector

**4-Way 5 Port 2 Position
Double Solenoid**

Part Number	Connection
Air Pilot	
S22U42-AP	Air Pilot
S22U42-DP	Air Pilot
110 AC 2.8 VA/ Orifice 1.1/1.1 mm	
S22U42-DS-11-0	Spade
S22U42-DS-11-2	Flying Leads
S22U42-DS-11-3	Line Connector
S22U42-DS-11-4	90° Connector
12 DC 1 Watt/ Orifice 0.8/1.1 mm	
S22U42-DS-12-0	Spade
S22U42-DS-12-2	Flying Leads
S22U42-DS-12-3	Line Connector
S22U42-DS-12-4	90° Connector
24 DC 1 Watt/ Orifice 0.8/1.1 mm	
S22U42-DS-24-0	Spade
S22U42-DS-24-2	Flying Leads
S22U42-DS-24-3	Line Connector
S22U42-DS-24-4	90° Connector

**4-Way 5 Port 2 Position
Single Solenoid**

Part Number	Connection
110 AC 2.8 VA/ Orifice 1.1/1.1 mm	
S22U42-SS-11-0	Spade
S22U42-SS-11-2	Flying Leads
S22U42-SS-11-3	Line Connector
S22U42-SS-11-4	90° Connector
12 DC 1 Watt/ Orifice 0.8/1.1 mm	
S22U42-SS-12-0	Spade
S22U42-SS-12-2	Flying Leads
S22U42-SS-12-3	Line Connector
S22U42-SS-12-4	90° Connector
24 DC 1 Watt/ Orifice 0.8/1.1 mm	
S22U42-SS-24-0	Spade
S22U42-SS-24-2	Flying Leads
S22U42-SS-24-3	Line Connector
S22U42-SS-24-4	90° Connector

**4-Way 5 Port 2 Position
Latching Solenoid
Single Solenoid**

Part Number	Connection
12 DC 3 Watt/ Orifice 1.1/1.1 mm	
S22U42-LS-12-2	Flying Leads
24 DC 3 Watt/ Orifice 1.1/1.1 mm	
S22U42-LS-24-2	Flying Leads

**4-Way 5 Port 3 Position
Double Solenoid - Closed
Center**

Part Number	Connection
110 AC 2.8 VA/ Orifice 1.1/1.1 mm	
S22U4C-DS-11-0	Spade
S22U4C-DS-11-2	Flying Leads
S22U4C-DS-11-3	Line Connector
S22U4C-DS-11-4	90° Connector
12 DC 1 Watt/ Orifice 0.8/1.1 mm	
S22U4C-DS-12-0	Spade
S22U4C-DS-12-2	Flying Leads
S22U4C-DS-12-3	Line Connector
S22U4C-DS-12-4	90° Connector
24 DC 1 Watt/ Orifice 0.8/1.1 mm	
S22U4C-DS-24-0	Spade
S22U4C-DS-24-2	Flying Leads
S22U4C-DS-24-3	Line Connector
S22U4C-DS-24-4	90° Connector

**4-Way 5 Port 3 Position
Double Solenoid - Exhaust
Center**

Part Number	Connection
110 AC 2.8 VA/ Orifice 1.1/1.1 mm	
S22U4E-DS-11-0	Spade
S22U4E-DS-11-2	Flying Leads
S22U4E-DS-11-3	Line Connector
S22U4E-DS-11-4	90° Connector
12 DC 1 Watt/ Orifice 0.8/1.1 mm	
S22U4E-DS-12-0	Spade
S22U4E-DS-12-2	Flying Leads
S22U4E-DS-12-3	Line Connector
S22U4E-DS-12-4	90° Connector
24 DC 1 Watt/ Orifice 0.8/1.1 mm	
S22U4E-DS-24-0	Spade
S22U4E-DS-24-2	Flying Leads
S22U4E-DS-24-3	Line Connector
S22U4E-DS-24-4	90° Connector

“22” Series Manifolds

Part Number	Stations	A	B
S22MU-2	2	1.91	2.91
S22MU-4	4	3.46	4.46
S22MU-6	6	5.01	6.01
S22MU-8	8	6.56	7.56
S22MU-10	10	8.11	9.11

measurements in inches

“22” Series Accessories

S22M-CP	Cover Plate
SMMC-600	Plug-in Cable 600 mm
SMMC-1000	Plug-in Cable 1000 mm
SMM-DIN	DIN Connector

Closed Center: All ports are blocked. Caution; vent working lines before disconnection

Exhaust Center: Input ports are blocked, cylinder ports are open to exhaust

