

Features

- 1/8 NPT (F) ports
- Heavy duty toggle available
- 2-Way or 3-Way function
- Detented & Momentary actuation
- Panel or surface mount
- Anodized for corrosion resistance



2-Position Toggle valves shown with Heavy Duty actuator for use in extreme environments. Standard detented and momentary toggles differ in appearance.

2 & 3-Way Valves 2-Position Toggle

Pneumadyne’s new 2-Position Valves are ideal for use in rugged applications. The combination of the solid aluminum body and stainless steel toggle provides the strength needed to withstand harsh conditions.

These 2-Way and 3-Way valves feature 1/8 NPT (F) ports and provide a flow rate of 41 scfm at 125 psi. Both detented and momentary toggles are offered to fit actuation requirements. For extreme environments, heavy duty toggles are also available (-HD option).

2-Position Valve

Performance Data

Temperature Range	Operating Pressure	Media
-20° to 160° F	0 to 125 psi	Compatible w/ seals

Product	C _v	Flow Rate (scfm)		Fill Time sec/ in ³ 0-90 psi	Exhaust Time sec/ in ³ 100-10 psi
		50 psi	125 psi		
C04220X & C04230X	.47	19	41	.006	.030

Materials

Aluminum/Anodize, Brass/Electroless Nickel, Stainless Steel, Buna-N (other seals available contact factory)

Actuation Force

Pressure	2-Way	3-Way
50 psi	72 oz	72 oz
125 psi	7-1/2 lbs	7-1/2 lbs

Mounting Method

Panel	Surface
Nominal hole dimension 25/32” (2) nuts provided	(2) .19 diam. thru holes

Product Information

"400" Series 2-Position Toggle Valve

Part Number Porting Actuation*

2-Way Normally Closed

C042201 1/8 NPT (F) Det
C042203 1/8 NPT (F) Mom

(Heavy Duty Toggle)

C042201-HD 1/8 NPT (F) Det
C042203-HD 1/8 NPT (F) Mom

3-Way Normally Closed

C042301 1/8 NPT (F) Det
C042303 1/8 NPT (F) Mom

(Heavy Duty Toggle)

C042301-HD 1/8 NPT (F) Det
C042303-HD 1/8 NPT (F) Mom

*Det= Detented

*Mom= Momentary

Accessory

Part Number Description

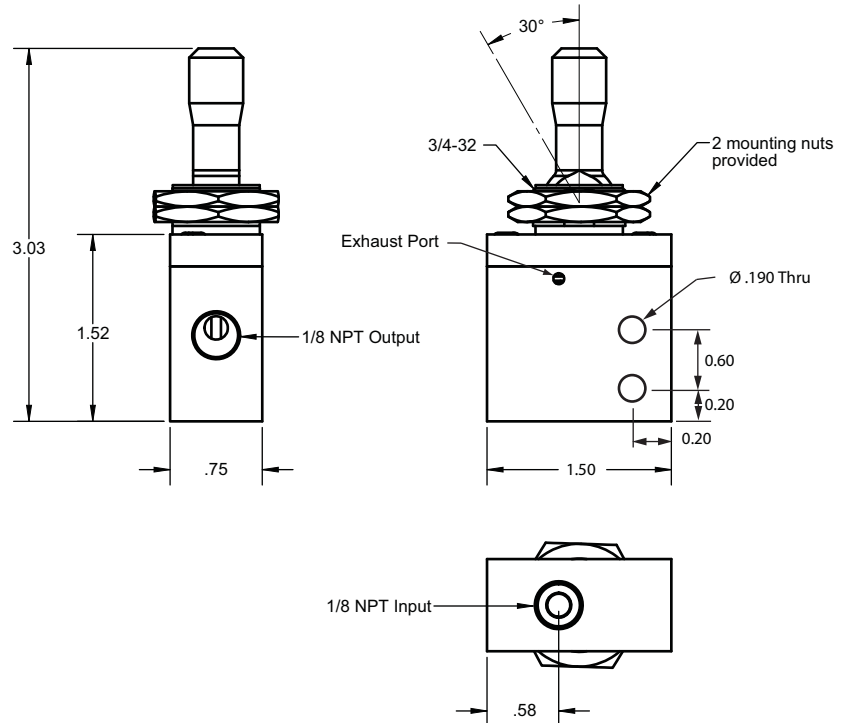
PPB-3/4 Silicone protective boot for use with momentary style 2-Position Toggle Valves Only



2-Position toggle valve shown with Heavy Duty toggle style (at left) and with Silicone Protective Boot (sold separately) installed (at right)

2-Position Valve

C04230x-HD



3-Way valves exhaust to atmosphere

- When design makes a dimension critical- contact factory for confirmation. All dimensions shown subject to change without notice.

Ordering Information

- To order standard product refer to Product Information listing.
- With Buna-N O-ring seal, part number listed in chart.
- With Ethylene Propylene O-ring seal, change the "CO" in the part number to "CE".
- With Viton® O-ring seal, change the "CO" in the part number to "CV".