

## Features

- Compact size
- Low hysteresis
- Precision control
- .16% Repeatability
- Stud mount, 10-32 UNF
- Compatible with Nitrogen and Helium
- Self relieving



## Miniature Precision Regulator

Pneumadyne's new Miniature Precision Regulator offers highly accurate air pressure control in a compact package; ideal for limited space applications.

This precision machined, high quality regulator features an output pressure range up to 100 psi and high flow rate of 4.5 scfm. With a maximum supply pressure of 250 psi, our Precision Regulator is extremely dependable and repeatedly returns to the set pressure when turned off and on. Exceptionally tight design tolerances effectively minimize vibration allowing the regulator to remain stable under changing operating conditions.

*Highly accurate air pressure control in a compact package*

## Performance Data

| Temperature Range | Operating Pressure | Maximum Supply Pressure | Media          |
|-------------------|--------------------|-------------------------|----------------|
| -40° to + 248°F   | 0 to 100 psi       | 250 psi                 | Clean, Dry Air |

| Output Pressure Range | Flow Rate |          | Repeatability | Set-ability | Air Consumption |
|-----------------------|-----------|----------|---------------|-------------|-----------------|
|                       | 50 psi    | 100 psi  |               |             |                 |
| 0 to 100 psi          | 2.5 scfm  | 4.5 scfm | 0.16 %        | .15 psi     | 1.0 scfh max    |

## Materials

Body: Electroless Nickel Plated Aluminum  
 Stem: Stainless Steel  
 Seals: Buna-N  
 Spring: Stainless Steel  
 Piston: Carbon-Graphite  
 Sleeve: Pyrex® Glass

## Mounting Method

Stud Mount: 10-32 UNF (footprint provided)  
 Panel Mount: Nominal mounting hole dimension 31/64"

### Miniature Precision Regulator Cross Section

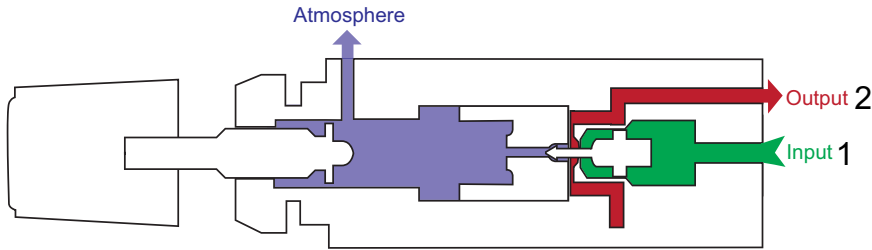


figure A

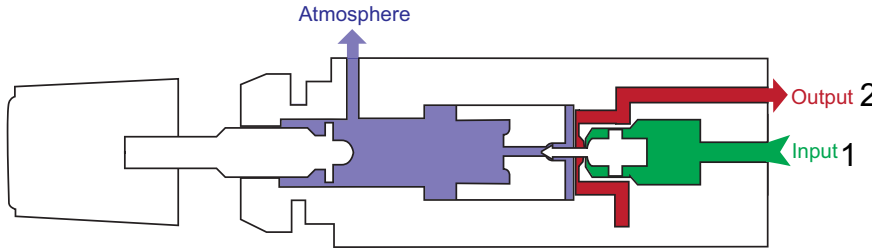
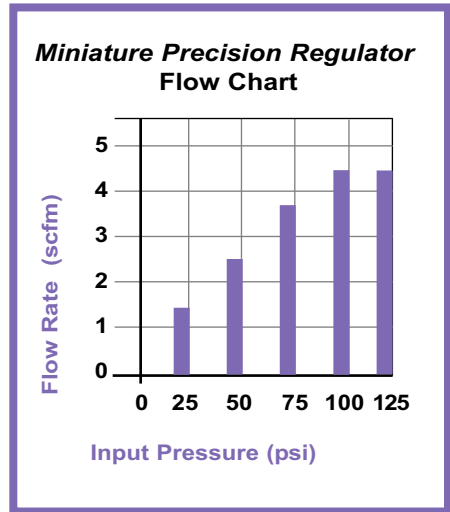
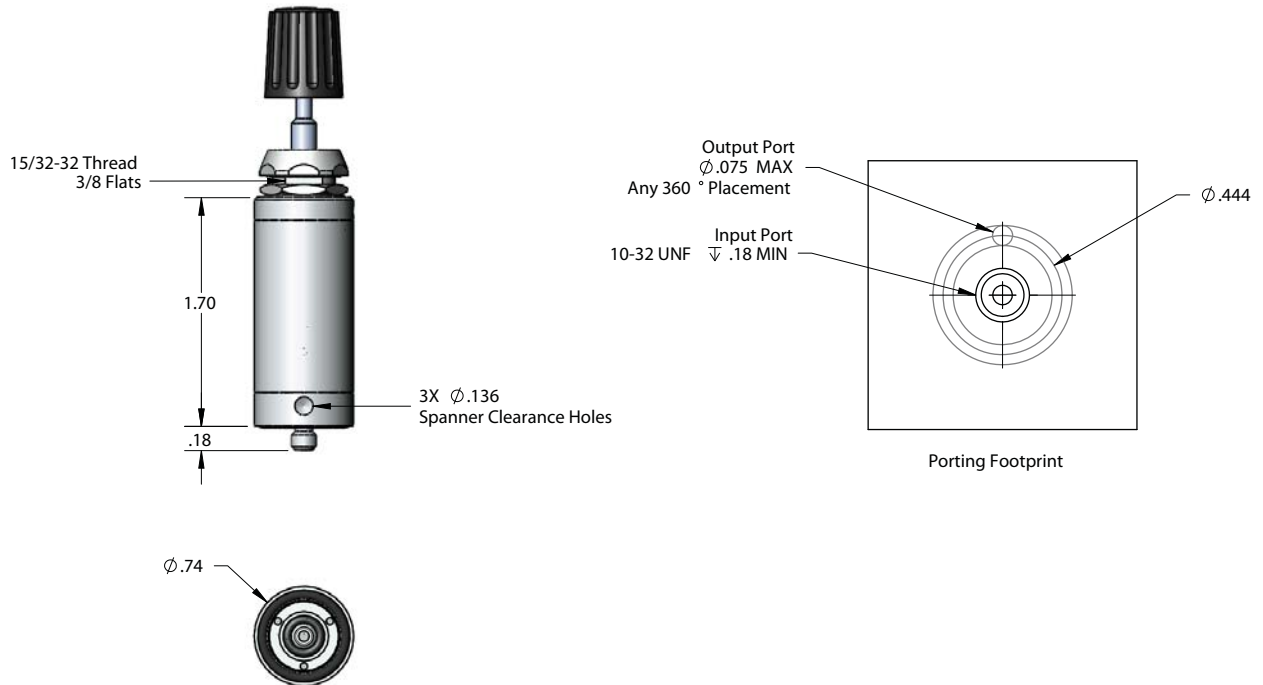


figure B



### Miniature Precision Regulator



### Ordering Information

- To order standard product use Part Number **PPR-S-100**.
- Optional seals available- contact factory.