

## Features

- 36 possible Air Jet combinations
- Several component options
- Manifold for multiple use applications



## Air Jets

### What is an Air Jet?

When air is directed through a tube that has a length at least three (3) times its ID a laminar air flow is created. This narrow stream of air is directable and its length is controllable by the input pressure. The application of this concept to our specially designed product, Air Jet, has proven to be very unique.

### The Air Jet System

The modular design of the Pneumadyne Air Jet system is one of the features that makes it adaptable to an unlimited number of applications. Air Jets consist of some or all of these separate components:

- Nozzle (12 options)
- Nut
- Base (3 options)
- Holder
- Manifold
- Needle Valve

The introduction of a **brass manifold** to the Air Jet assembly provides an innovative method which allows the use of up to six (6) Air Jets. In this situation a needle valve

is threaded into the manifold and tubing connects to the Air Jet base, via a barb fitting. The advantage of the manifold is the ability to control remote Air Jets at one location (to plug unused ports use an SPG-10 plug). In a typical application the **needle valve** is threaded into the base and the air pressure is controlled at that location.

### Applications

Imaginations at work. Though simple in operation, the Air Jet has some very creative applications. The Air Jet was originally developed to enhance the productivity of vibratory feeder bowls. Since that first application, Air Jets have been used in a broad range of systems such as:

**Cooling Applications-** a jet of air is directed at a drill bit to reduce heat from friction.

**Moving Applications-** a jet of air used as a static breaker to keep dust off optical lens or to move parts off a production line.

**Coolant/ Lubricant Applications-** lubrication via Air Jets onto the gears in overhead conveyors.

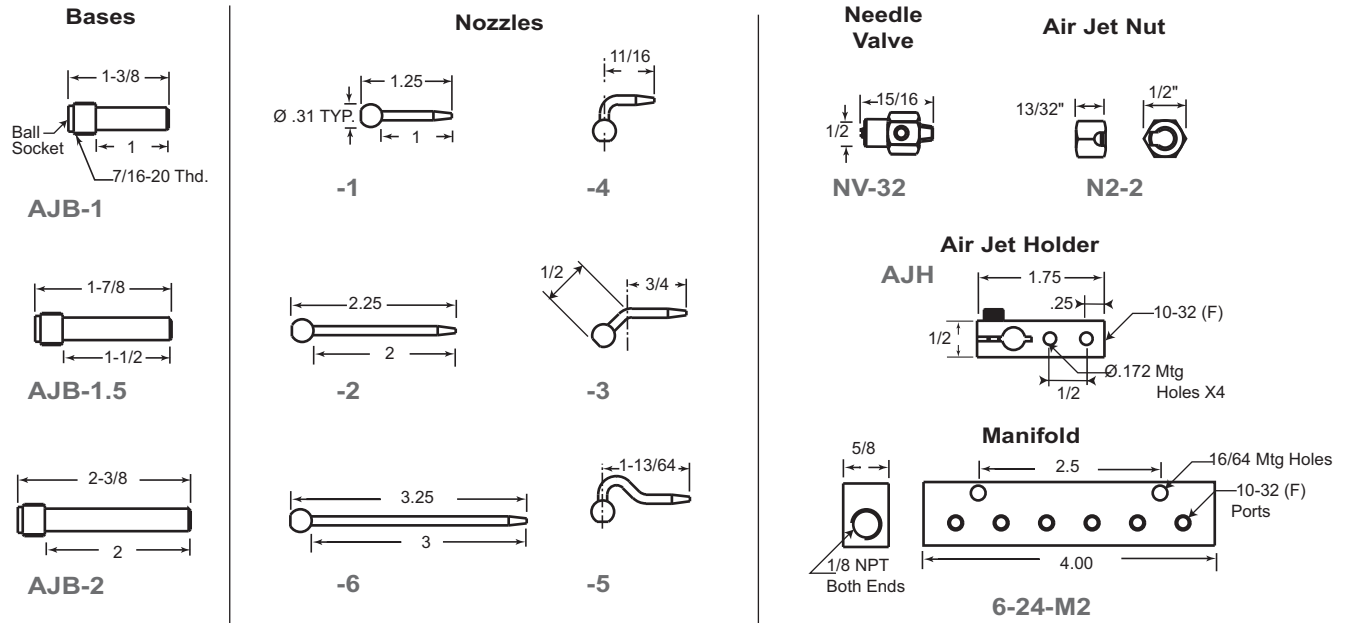
### Performance Data

Product	Temperature Range	Operating Pressure	Orifice Size	Cv	Flow Rate (scfm)	
					50 psi	125 psi
HAN	-20° to 160° F 28° to 71° C	0 to 125 psi	1/16	.10	3.2	6.5
AN			1/32	.02	.72	1.5

### Materials

Brass, Electroless Nickel Plating, Cold Rolled Steel, Aluminum, Black Anodizing

Air Jet



**Ordering Information**

- Use Product Information listing to select air jet components.
- All parts are sold separately.
- Air Jet Kits available.

**The Air Jet Kit**

Pneumadyne offers Air Jet Kits for either 1/16" or 1/32" orifice nozzles. The kit includes:

- (12) Nozzles (2 ea. style nozzle)
- (2) 10-32 (M) Needle Valves
- (9) Bases (3 of ea. size)
- (9) Brass Nuts
- (3) Air Jet Holders
- (1) Carrying Case

Part Number	Description
AJK-AN	Air Jet Kit, 1/32 ID nozzles
AJK-HAN	Air Jet Kit, 1/16 ID nozzles

- The brass manifold is available to enhance the Air Jet System but is not included with the Air Jet Kit.

**Product Information**

Part Number	Description
AJB-1	1" Base
AJB-1.5	1.5" Base
AJB-2	2" Base
AJH	Air Jet Holder
AN-1	Nozzle, 1/32 ID x 1" Straight
AN-2	Nozzle, 1/32 ID x 2" Straight
AN-3	Nozzle, 1/32 ID x 1" 45°
AN-4	Nozzle, 1/32 ID x 1" 90°
AN-5	Nozzle, 1/32 ID x 1" Compound
AN-6	Nozzle, 1/32 ID x 3" Straight
HAN-1	Nozzle, 1/16 ID x 1" Straight
HAN-2	Nozzle, 1/16 ID x 2" Straight
HAN-3	Nozzle, 1/16 ID x 1" 45°
HAN-4	Nozzle, 1/16 ID x 1" 90°
HAN-5	Nozzle, 1/16 ID x 1" Compound
HAN-6	Nozzle, 1/16 ID x 3" Straight
6-24-M2	Manifold
N2-2	Assembly Nut (Air Jets)
NV-32	Needle Valve

All dimensions and specifications are subject to change without notice